

# PORTABLE HOSE REELS **CM & DM SERIES**

**COXREELS®** CM Series “Caddy Mount” and DM Series “Dolly Mount” hand crank hose reels offer lightweight, compact portability for long lengths of hose. Eliminate the task of manually coiling and uncoiling hose and easily transport it to the job site on wheels. High pressure applications are no problem with a 276 BAR rating. Also, a 1 m inlet hose with 19 mm female fitting and male garden adaptor is available with this series for use with garden hose. See options below.

## CM SERIES MODELS - CADDY MOUNT

LESS HOSE									
MODEL	STANDARD CAPACITY			OPTIONAL CAPACITY Reducer Required			BAR	Kg.	SIZE INDEX
	I.D. mm	O.D. mm	LENGTH m	I.D. mm	O.D. mm	LENGTH m			
<b>112-3-100-CM</b>	10	16	30	6	13	46	276	8	<b>1</b>
<b>112-3-150-CM</b>	10	16	46	6	13	69	276	10	<b>2</b>
<b>117-4-225-CM</b>	13	22	69	10	19	96	276	13	<b>3</b>

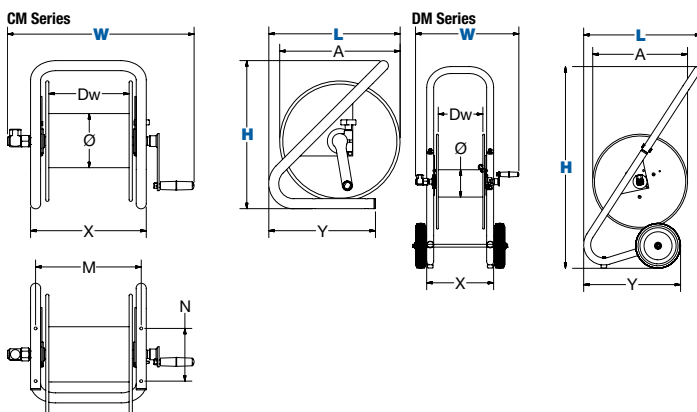
## DM SERIES MODELS - DOLLY MOUNT

LESS HOSE									
MODEL	STANDARD CAPACITY			OPTIONAL CAPACITY Reducer Required			BAR	Kg.	SIZE INDEX
	I.D. mm	O.D. mm	LENGTH m	I.D. mm	O.D. mm	LENGTH m			
<b>117-3-200-DM</b>	10	16	61	6	13	107	276	17	<b>4</b>
<b>117-4-225-DM</b>	13	22	69	10	19	96	276	18	<b>5</b>

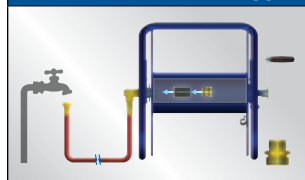
## REEL DIMENSIONS Technical Data Sheets Available On Website

SIZE INDEX	W mm	H mm	L mm	X mm	Y mm	M mm	N mm	Ø mm	Dw mm
<b>1</b>	470	375	333	292	270	267	133	140	203
<b>2</b>	584	375	333	406	267	267	133	140	318
<b>3</b>	584	470	457	406	321	267	133	140	318
<b>4</b>	483	921	533	305	445	-	-	140	203
<b>5</b>	597	921	533	419	445	-	-	140	318

Overall Dimensions      Base      Mounting Pattern      Drum

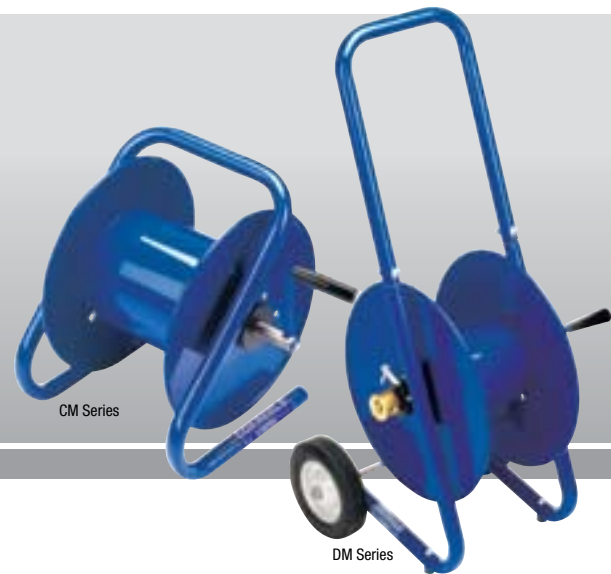


## COXREELS® 1/2" HOSE ACCESSORY



### Garden Hose Kit

You are able to connect any hose to a reel with 13 mm plumbing. You will be able to use any garden hose for everything from watering plants to washing your car. Kit includes: NPT to garden hose adaptor & adaptor hose **#15717**



## CM & DM SERIES :: REEL SPECIFICATIONS

### SWIVEL

- External fluid path with machined from solid brass 90° full-flow NPT swivel inlet
- Up to 276 BAR working pressure
- Swivel Seals: NITRILE

### CM SERIES DESIGN & STRUCTURE

- High quality one piece 25 mm steel tube frame structure
- Hose Control bar prevents hose from slipping off the discs
- Adjustable tension brake to prevent “free-wheeling”
- Base has holes for temporary or permanent installation

### DM SERIES DESIGN & STRUCTURE

- High quality three piece 32 mm steel tube frame structure
- Solid 20.3 cm rubber tires for easy transport
- Rubber front feet prevent reel from slipping forward
- Removable handle allow for compact storage
- Adjustable tension brake to prevent “free-wheeling”

### RETRACTION

- Direct hand crank rewind

### SIGNATURE FEATURES

- Professional grade heavy duty steel construction
- Durable proprietary CPC™ powder coat process
- Rolled edges & ribbed discs provide strength & safety
- Leading 2-year manufacturer's limited warranty
- Made in the U.S.A. - Sold & Supported Worldwide

### POSSIBLE FIELDS OF APPLICATION

- Water Supply
- Washdown
- Pressure Washing
- Agricultural Spraying
- Chemical Fluid Transfer
- Ground Maintenance
- Restaurants
- Construction Sites
- General Landscape/Turf Care
- Home Gardening

### ACCESSORIZE YOUR REEL :: PG 50

- Mounting Brackets
- Assorted Reel Accessories

• Hoses

