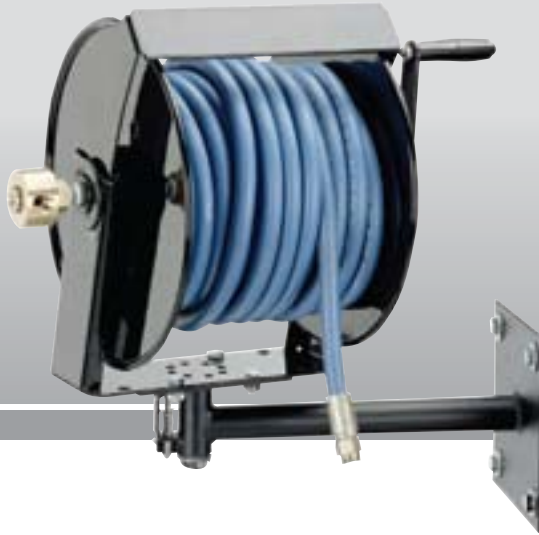


SM SERIES

COMPACT SWIVEL MOUNT HOSE REELS



COXREELS® SM Series “Swivel Mount” hand crank hose reels swivel on demand in the direction your work takes you and locks in eight different positions as desired. Like the 100 Series, the SM Series is lightweight, compact and versatile with a working pressure up to 276 BAR. The “U” shaped base and hose control bar together add strength and rigidity while keeping the hose from slipping off the side discs. Add the SMK-202 wall mount bracket for swiveling mounted positions.

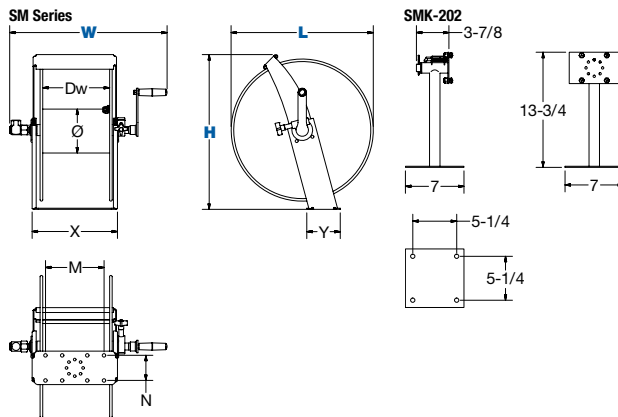
SM SERIES MODELS

MODEL	LESS HOSE						BAR	Kg.	SIZE INDEX
	STANDARD CAPACITY			OPTIONAL CAPACITY Reducer Required					
	I.D. mm	O.D. mm	LENGTH m	I.D. mm	O.D. mm	LENGTH m			
SM12-3-100	10	16	30	6	13	46	276	7	1
SM17-3-250	10	16	76	6	13	107	276	12	2
SM17-4-125	13	22	38	10	19	46	276	12	3

REEL DIMENSIONS

Technical Data Sheets Available On Website

SIZE INDEX	W mm	H mm	L mm	X mm	Y mm	M mm	N mm	Ø mm	Dw mm
1	483	343	305	260	102	178	76	140	203
2	483	470	432	260	102	178	76	140	203
3	483	470	432	260	102	178	76	140	203



SM SERIES - REEL SPECIFICATIONS

SWIVEL

- External fluid path with machined from solid brass 90° full-flow NPT swivel inlet
- Up to 276 BAR working pressure
- Swivel Seals: VITON®

DESIGN & STRUCTURE

- Professional grade, swivel mount hand crank reel
- Forward-weighted design ensures rotation in direction of use
- Solid one piece, heavy gauge steel frame
- Unique hose control bar keeps hose from slipping off the disc from any direction
- Optional 8-position swivel mount wall mount bracket with lock pin
- Adjustable tension brake to prevent “free-wheeling” during operation, transport or storage
- Garden hose kit available, see accessories

RETRACTION

- Direct hand crank rewind

SIGNATURE FEATURES

- Professional grade heavy duty steel construction
- Durable proprietary CPC™ powder coat process
- Rolled edges & ribbed discs provide strength & safety
- Leading 2-year manufacturer's limited warranty
- Made in the U.S.A. - Sold & Supported Worldwide

POSSIBLE FIELDS OF APPLICATION

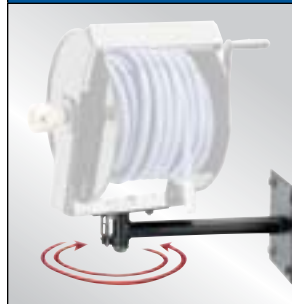
- Water Supply
- Washdown
- Pressure Washing
- Agricultural Spraying
- Chemical Fluid Transfer
- Industrial Facilities Maintenance
- Ground Maintenance
- Farming
- Construction Sites
- General Landscape /Turf Care
- Home Gardening

ACCESSORIZE YOUR REEL :: PG 50

- O-Rings & Swivels
- Hoses
- Assorted Reel Accessories



COXREELS® ACCESSORY



Mounting Bracket - Sold separately
Pivoting base for wall mounting only. Heavy gauge steel construction, powder coated crinkle black, Includes rigid arm with 8-position locking pivot base.
Weight: 4 Kg. **#SMK-202**