

Dual Purpose Hose Reels

C SERIES

AVAILABLE IN: **SPRING DRIVEN**
ELECTRIC

COXREELS® C Series "Combination" spring driven hose reels are a combination of two hose reels in one compact assembly. They are perfect for applications in which two sources are needed to get the job done when space is a critical factor. The single mounting base creates stability and adds to the convenience of one mounting pattern. This series is also available in air hose/electrical cord combinations.

LOW PRESSURE Models with hose are for air or water service with a maximum temperature 150° F. Models less hose can be used for air, water or oil. **NOTE: Do not exceed listed hose O.D. to obtain maximum length.**

HOSE						LESS HOSE		SIZE INDEX
MODEL	I.D.	O.D.	FT.	PSI	APRX. LBS.	MODEL	APRX. LBS.	
C-LP-125-125	1/4"	1/2"	25	300	66	C-LPL-125-125	60	1
C-LP-135-135	1/4"	1/2"	35	300	67	C-LPL-135-135	60	1
C-LP-150-150	1/4"	1/2"	50	300	74	C-LPL-150-150	64	1
C-LP-325-325	3/8"	21/32"	25	300	67	C-LPL-325-325	60	2
C-LP-335-335	3/8"	21/32"	35	300	69	C-LPL-335-335	60	2
C-LP-350-350	3/8"	21/32"	50	300	78	C-LPL-350-350	64	2
C-LP-425-425	1/2"	27/32"	25	300	70	C-LPL-425-425	60	3

MEDIUM PRESSURE Reels are furnished with standard one wire braid hose suitable for air, water or oil applications. Hose exceeds SAE R1 specifications. Maximum temperature 250° F. **NOTE: Do not exceed listed hose O.D. to obtain maximum length.**

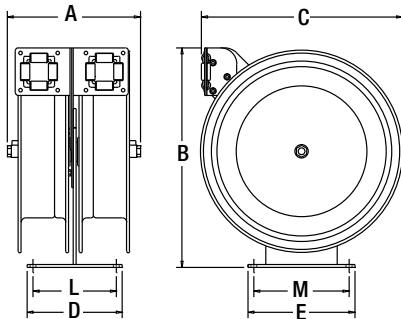
HOSE						LESS HOSE		SIZE INDEX
MODEL	I.D.	O.D.	FT.	PSI	APRX. LBS.	MODEL	APRX. LBS.	
C-MP-325-325	3/8"	5/8"	25	3000	80	C-MPL-325-325	66	3
C-MP-335-335	3/8"	5/8"	35	3000	86	C-MPL-335-335	68	3
C-MP-425-425	1/2"	3/4"	25	2500	78	C-MPL-425-425	64	3
C-MP-430-430	1/2"	3/4"	30	2500	84	C-MPL-430-430	66	3

HIGH PRESSURE Reels are furnished standard with S.A.E. 100R16 #1 or #2 wire braid hose suitable for grease and hydraulic oil applications. Maximum temp. 250° F. **NOTE: Do not exceed listed hose O.D. to obtain maximum length.**

HOSE						LESS HOSE		SIZE INDEX
MODEL	I.D.	O.D.	FT.	PSI	APRX. LBS.	MODEL	APRX. LBS.	
C-HP-125-125	1/4"	17/32"	25	5000	78	C-HPL-125-125	66	3
C-HP-135-135	1/4"	17/32"	35	5000	84	C-HPL-135-135	68	3
C-HP-325-325	3/8"	43/64"	25	4000	78	C-HPL-325-325	64	3
C-HP-330-330	3/8"	43/64"	30	4000	82	C-HPL-330-330	66	3

REEL DIMENSIONS Technical Data Sheets Available On Website

SIZE INDEX	A	B	C	D	E	MOUNT L-M
1	10 1/2"	18 1/4"	17 1/4"	8"	9"	7"-8"
2	11 1/8"	18 1/4"	17 1/4"	8"	9"	7"-8"
3	12 1/2"	18 1/4"	17 1/4"	8"	9"	7"-8"



AVAILABLE OPTIONS

MOUNTING BRACKETS
ENHANCE PERFORMANCE
EASIER INSTALLATION
WALL, FLOOR & CEILING
MANY STYLES AVAILABLE
See Page 34 For Selection

HOSE UPGRADE
PROTECTION FROM THE ELEMENTS
EXTENDED HOSE LIFE
APPLICATION SPECIFIC
See Page 33 For More Details

STAINLESS STEEL
SWIVELS & PLUMBING
FOR PURE PRODUCT FLOW
APPLICATIONS
Consult Factory For Details

DOUBLE YOUR PRODUCTIVITY



Sturdy, Convenient
Single Mounting
Base

C SERIES Offers...

Hose I.D.: 1/4" - 1/2" **Pressure:** To 5,000 PSI

- ✓ Compact Two Reel Assembly
- ✓ One Convenient Mounting Base
- ✓ Each Reel Operates Independently
- ✓ Swivel Seals: NITRILE

SPRING DRIVEN FEATURES:

- ✓ Auto Rewind Easily Wraps, Stores & Protects Hose
- ✓ Heavy Gauge Steel Base & Support Post
- ✓ Factory-Matched Cartridge-Style Spring Motors
- ✓ Two Brass NPT Swivel Inlets Machined From Solid (Zinc Plated Steel On HP Models)
- ✓ 1" Solid Steel Axle With 1" Lubricated Precision Bearings
- ✓ Guide Arms Adjust To Wall, Floor & Overhead Positions
- ✓ Multi-Position Lock Ratchet Secures Hose At Desired Length
- ✓ Non-corrosive Stainless Steel Springs, Pawls & Zinc Plated Ratchets

COXREELS® SIGNATURE FEATURES:

- ✓ Professional Grade Heavy Duty Steel Construction
- ✓ Durable Proprietary CPC™ Powder Coat Process
- ✓ Rolled Edges & Ribbed Discs Provide Strength & Safety
- ✓ Leading 2-Year Manufacturer's Limited Warranty
- ✓ Made In The U.S.A. Sold & Supported Worldwide

HOW TO ORDER? See Page 5 For Details
NEED SPECIAL O-RINGS? See Page 35 For Details



Toll Free 800-COX-REEL • Fax 800-229-REEL • Int 480-820-6396 • Fax 480-820-5132 • www.coxreels.com

