

# Exhaust Reels

AVAILABLE IN: **SPRING DRIVEN**

## 300 SERIES

**COXREELS® 300 Series "Exhaust" spring driven reels are there to provide ventilation where necessary.** This heavy duty frame was built to provide strength, stability & durability. The 300 Series reels have features found on many of our reels like spun discs, welded steel frame & enclose cartridge motor. These reels also feature an easy access panel to have access to the main drum with internal ducting included, making it ready to go.

**NEW FOR 2008**

### EXHAUST REELS

LESS HOSE				SIZE INDEX	
MODEL	I.D.	HOSE CAPACITY FT.	APRX. LBS.		
319-424	4"	24' Capacity	103	1	NEW FOR 2008
328-440	4"	40' Capacity	115	2	NEW FOR 2008
319-520	5"	20' Capacity	103	1	NEW FOR 2008
328-532	5"	32' Capacity	115	2	NEW FOR 2008
332-536	5"	36' Capacity	121	3	NEW FOR 2008
319-620	6"	20' Capacity	105	1	NEW FOR 2008
328-632	6"	32' Capacity	117	2	NEW FOR 2008
332-636	6"	36' Capacity	123	3	NEW FOR 2008

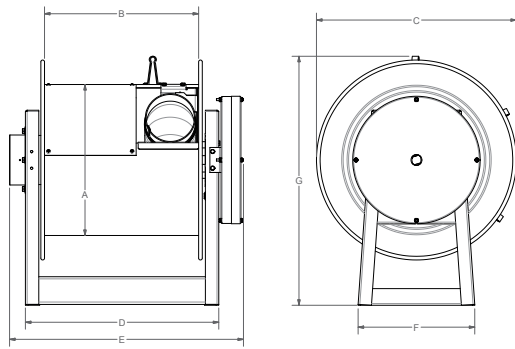
**BREATHE IN,  
BREATHE OUT...  
SWEET!**



External Spring Cartridge Motor

### REEL DIMENSIONS Technical Data Sheets Available On Website

SIZE INDEX	A	B	C	D	E	F	G
1	18"	19"	24"	23 1/4"	28 1/4"	14"	29 1/2"
2	18"	28"	24"	32 1/4"	37 1/4"	14"	29 1/2"
3	18"	32"	24"	36 1/4"	41 1/4"	14"	29 1/2"



### 300 SERIES Offers...

- Hose I.D.: 4" - 6"**
- ✓ All Welded Steel Frame For Strength & Durability
  - ✓ Easy Access Panel To The Drum
  - ✓ Internal Ducting Is Included
  - ✓ 6" Exhaust Ductwork On All Models
  - ✓ Drum Mounted Hose Guide
  - ✓ Cast Iron Lock Ring With Non-Sparking Bronze Pawl
- SPRING DRIVEN FEATURES:**
- ✓ Auto Rewind Easily Wraps, Stores & Protects Hose
  - ✓ Factory-Matched Cartridge-Style Spring Motor
  - ✓ Multi-Position Lock Ratchet Secures Hose At Desired Length
  - ✓ Non-Corrosive Stainless Steel Spring

- COXREELS® SIGNATURE FEATURES:**
- ✓ Professional Grade Heavy Duty Steel Construction
  - ✓ Durable Proprietary CPC™ Powder Coat Process
  - ✓ Rolled Edges & Ribbed Discs Provide Strength & Safety
  - ✓ Leading 2-Year Manufacturer's Limited Warranty
  - ✓ Made In The U.S.A. Sold & Supported Worldwide

**HOW TO ORDER?**  
See Page 5 For Details

### COXREELS® 300 FEATURES

**Easy Access Panel**

- An easy to remove panel allows full access to the drum

**All Welded Steel Frame**

- An all welded steel frame for strength, durability, stability & to prevent tip-overs

**PERFECT FOR:**

- Repair Centers
- Fire Stations
- Service Station
- Smog Stations
- Emergency Crews

CATALOG #CMC08 ©Copyright 2008 COXREELS



Toll Free 800-COX-REEL • Fax 800-229-REEL • Int 480-820-6396 • Fax 480-820-5132 • [www.coxreels.com](http://www.coxreels.com)

