

Aluminum Hose Reels

AVAILABLE IN: **SPRING DRIVEN**



ALUMI-PRO® SERIES

COXREELS® Alumi-Pro® Series "Aluminum Professional-Grade" spring driven hose reels have the strength of steel without the weight! The Alumi-Pro® series is modeled after Coxreels' popular P Series line of hose reels, but are uniquely constructed out of high quality aluminum. They're compact, lightweight and non-corrosive making them the perfect choice when polypropylene or plastic hose reels are not the preferred choice due to their limited strength and durability.

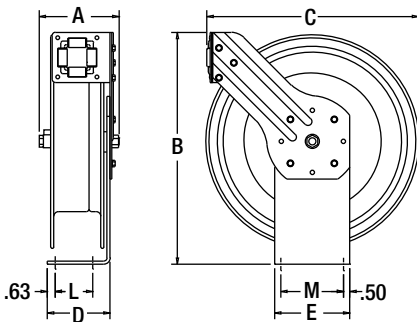
LOW PRESSURE Models with hose are for air or water service with a maximum temperature 150° F. Models less hose can be used for air, water or oil. **NOTE: Do not exceed listed hose O.D. to obtain maximum length.**

HOSE						LESS HOSE		SIZE INDEX
MODEL	I.D.	O.D.	FT.	PSI	APRX. LBS.	MODEL	APRX. LBS.	
P-LP-125-AL	1/4"	1/2"	25	300	18	P-LPL-125-AL	15	1
P-LP-150-AL	1/4"	1/2"	50	300	25	P-LPL-150-AL	18	3
P-LP-325-AL	3/8"	21/32"	25	300	19	P-LPL-325-AL	16	2
P-LP-350-AL	3/8"	21/32"	50	300	27	P-LPL-350-AL	20	3
P-LP-425-AL	1/2"	27/32"	25	300	29	P-LPL-425-AL	22	4
P-LP-430-AL	1/2"	27/32"	30	300	31	P-LPL-430-AL	22	4

REEL DIMENSIONS

Technical Data Sheets Available On Website

SIZE INDEX	A	B	C	D	E	MOUNT L-M
1	6"	14 1/2"	13 3/4"	5"	6"	3" - 5"
2	6 1/4"	14 1/2"	13 3/4"	5"	6"	3" - 5"
3	6 1/8"	18 1/4"	17 1/4"	6"	6"	4" - 5"
4	7"	18 1/4"	17 1/4"	6"	6"	4" - 5"



ALSO AVAILABLE:

Alumi-Pro® Series "Aluminum Professional-Grade" In 3,000 PSI For Oil, Grease & Pressure Washing

Consult Factory For Pricing

NEW FOR 2008

ALL THE STRENGTH WITHOUT THE WEIGHT!

Rolled Edges & Ribbed Discs For Extra Strength & Rigidity



Durable, Corrosion Resistant CPC™ Powder Coat Finish

ALUMI-PRO® SERIES Offers...

Hose I.D.: 1/4" - 1/2" Pressure: To 300 PSI

- ✓ Industrial Strength Powder Coated Aluminum Construction
- ✓ Compact Space Saving Size
- ✓ For Applications That Require Professional Grade Strength Without The Weight
- ✓ Swivel Seals: NITRILE

SPRING DRIVEN FEATURES:

- ✓ Auto Rewind Easily Wraps, Stores & Protects Hose
- ✓ Lightweight Aluminum Base & Support Post
- ✓ Factory-Matched Cartridge-Style Spring Motor
- ✓ Brass NPT Swivel Inlet Machined From Solid
- ✓ 1" Solid Steel Axle With 1" Lubricated Precision Bearings
- ✓ Multi-Position Lock Ratchet Secures Hose At Desired Length
- ✓ Non-Corrosive Stainless Steel Spring, Pawl & Zinc Plated Ratchet

COXREELS® SIGNATURE FEATURES:

- ✓ Professional Grade Heavy Duty Aluminum Construction
- ✓ Durable Proprietary CPC™ Powder Coat Process
- ✓ Rolled Edges & Ribbed Discs Provide Strength & Safety
- ✓ Leading 2-Year Manufacturer's Limited Warranty
- ✓ Made In The U.S.A. Sold & Supported Worldwide

HOW TO ORDER?

See Page 5 For Details

NEED SPECIAL O-RINGS

See Page 35 For Details

AVAILABLE OPTIONS

MOUNTING BRACKETS
 ENHANCE PERFORMANCE
 EASIER INSTALLATION
 WALL, FLOOR & CEILING
 MANY STYLES AVAILABLE
 See Page 34 For Selection

HOSE UPGRADE
 PROTECTION FROM THE ELEMENTS
 EXTENDED HOSE LIFE
 APPLICATION SPECIFIC
 See Page 33 For More Details

STAINLESS STEEL
 SWIVELS & PLUMBING
 FOR PURE PRODUCT FLOW
 APPLICATIONS
 Consult Factory For Details



Toll Free 800-COX-REEL • Fax 800-229-REEL • Int 480-820-6396 • Fax 480-820-5132 • www.coxreels.com

