

Spring Driven Welding Hose Reels

AVAILABLE IN: **SPRING DRIVEN**
EZ-COIL®

P-W & SHW SERIES

COXREELS® P-W and SHW spring driven "Welding" hose reels are the ideal solution for managing bulky twin line welding hose. The P-W Series, like the P Series, is more compact in size and shares the reputation for long lasting performance. The SHW Series has a larger chassis and frame to accommodate longer lengths of welding hose and Coxreels' original Super Hub dual axle support system for increased stability during operation, less vibration and greater structural integrity.

OXYGEN-ACETYLENE DUAL HOSE REELS Hose supplied on reel is twin-siemese type meeting R.M.A. and C.G.A. type V.D. grade R specifications. Use of other types of hose is not recommended. **Note: Do Not Exceed Listed Hose O.D. To Obtain Max. Length.**

HOSE						LESS HOSE		SIZE INDEX
MODEL	I.D.	O.D.	FT.	PSI	APRX. LBS.	MODEL	APRX. LBS.	
P-W-125	1/4"	17/32"	25	200	46	P-WL-125†	39	1
P-W-135	1/4"	17/32"	35	200	48	P-WL-135†	40	1
P-W-140	1/4"	17/32"	40	200	51	P-WL-140†	42	1
SHW-N-150	1/4"	17/32"	50	200	64	SHWL-N-150†	52	2
SHW-N-160	1/4"	17/32"	60	200	76	SHWL-N-160†	61	3
SHW-N-175	1/4"	17/32"	75	200	80	SHWL-N-175†	63	3
SHW-N-1100	1/4"	17/32"	100	200	84	SHWL-N-1100	62	3

DUAL FUEL GAS HOSE REELS Hose supplied on reel is twin-siemese type grade "T." Grade "T" reels and hoses are used for a wide variety of gases, such as MAPP, propane, natural and fuel. **Note: Do Not Exceed Listed Hose O.D. To Obtain Max. Length.**

HOSE						LESS HOSE		SIZE INDEX
MODEL	I.D.	O.D.	FT.	PSI	APRX. LBS.	MODEL	APRX. LBS.	
P-WT-125	1/4"	17/32"	25	200	46	P-WTL-125†	39	1
SHWT-N-150	1/4"	17/32"	50	200	64	SHWTL-N-150†	52	2
SHWT-N-175	1/4"	17/32"	75	200	80	SHWTL-N-175†	63	3
SHWT-N-1100	1/4"	17/32"	100	200	84	SHWTL-N-1100	62	3

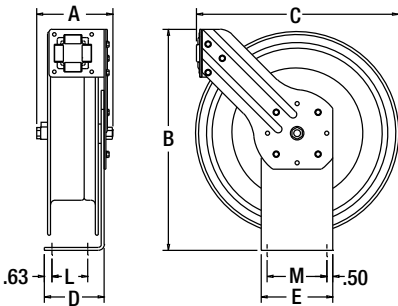


BRASS NPT SWIVEL INLET MACHINED FROM SOLID - Designed for simultaneously conveying two gases, ported for safety, double "o" ring sealed design prevents leakage.

REEL DIMENSIONS

Technical Data Sheets Available On Website

SIZE INDEX	A	B	C	D	E	MOUNT L-M
1	8 1/2"	18 1/4"	17 1/4"	6"	6"	4" - 5"
2	10 7/8"	21"	19 5/8"	6"	6"	4" - 5"
3	10 7/8"	25 1/4"	23"	6"	6"	4" - 5"



TAME YOUR TWIN-LINE!

Dual Ported Swivel For One-Sided Connection

Swivel Lock Bracket Ensures Maximum Safety

UL Listed †

P-W & SHW SERIES Offers...

- Hose I.D.:** 1/4" - Twin **Pressure:** To 200 PSI
- ✓ Designed For Oxy-Acetylene Or "T" Grade Welding Hose
 - ✓ Dual Ported Swivel Offers Both Connections From The Same Side Of The Reel
 - ✓ Applications Include: MAPP Gas, Propane, & Natural Gas
 - ✓ "Super Hub" Dual Axle Support On Models With Size Index #2 & #3
 - ✓ Swivel Lock Bracket Ensures Maximum Safety
 - ✓ Swivel Seals: VITON®

SPRING DRIVEN FEATURES:

- ✓ Auto Rewind Easily Wraps, Stores & Protects Hose
- ✓ Heavy Gauge Steel Base & Support Post
- ✓ Factory-Matched Cartridge-Style Spring Motor
- ✓ 1" Solid Steel Axle with 1" Lubricated Precision Bearings
- ✓ Guide Arm Adjusts To Wall, Floor & Overhead Positions
- ✓ Non-Sparking Ratchet Secures Hose At Desired Length
- ✓ Non-Corrosive Stainless Steel Spring, Pawl & Zinc Plated Ratchet

COXREELS® SIGNATURE FEATURES:

- ✓ Professional Grade Heavy Duty Steel Construction
- ✓ Durable Proprietary CPC™ Powder Coat Process
- ✓ Rolled Edges & Ribbed Discs Provide Strength & Safety
- ✓ Leading 2-Year Manufacturer's Limited Warranty
- ✓ Made In The U.S.A. Sold & Supported Worldwide

HOW TO ORDER?

See Page 5 For Details

AVAILABLE OPTIONS

MOUNTING BRACKETS
ENHANCE PERFORMANCE
EASIER INSTALLATION
WALL, FLOOR & CEILING
MANY STYLES AVAILABLE
See Page 34 For Selection

UPGRADE TO EZ-COIL®
INCREASE OPERATOR SAFETY
AVOID PERSONAL INJURY
LONGER REEL LIFE
See Page 3 For More Details



Toll Free 800-COX-REEL • Fax 800-229-REEL • Int 480-820-6396 • Fax 480-820-5132 • www.coxreels.com

