

Compact Swivel Mount Hose Reels

AVAILABLE IN: **HAND CRANK**

SM SERIES

COXREELS® SM Series "Swivel Mount" hand crank hose reels swivel on demand in the direction your work takes you and locks in eight different positions as desired. Like the 100 Series, the SM Series is lightweight, compact and versatile with a working pressure up to 4,000 PSI. The "U" shaped base and hose control bar together add strength and rigidity while keeping the hose from slipping off the side discs. Add the SMK-202 wall mount bracket for fixed wall mounting positions.

SM SERIES

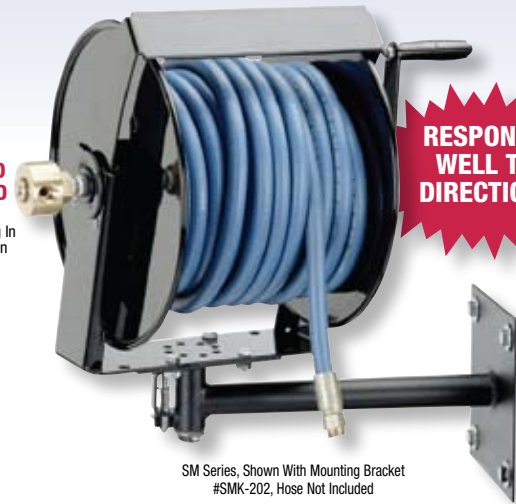
LESS HOSE						SIZE INDEX
MODEL	I.D.	O.D.	FT.	PSI	APRX. LBS.	
SM12-3-100	3/8"	5/8"	100	4,000	15	1
SM17-3-250	3/8"	5/8"	250	4,000	26	2
SM17-4-125	1/2"	7/8"	125	4,000	26	3

REEL DIMENSIONS

Technical Data Sheets Available On Website

SIZE INDEX	A	B	C	D	E
1	18 1/4"	10 1/4"	13 1/2"	12"	10"
2	19"	10 1/4"	18 1/2"	17"	10"
3	19"	10 1/4"	18 1/2"	17"	10"

FORWARD WEIGHTED DESIGN
To Easily Swing In Users Direction



SM Series, Shown With Mounting Bracket #SMK-202, Hose Not Included

MOUNTING BRACKET

Pivoting base for wall mounting only. Heavy gauge steel construction, powder coated crinkle black, Includes rigid arm with 8-position locking pivot base. Weight: 8 lbs. #SMK-202



SM SERIES Offers...

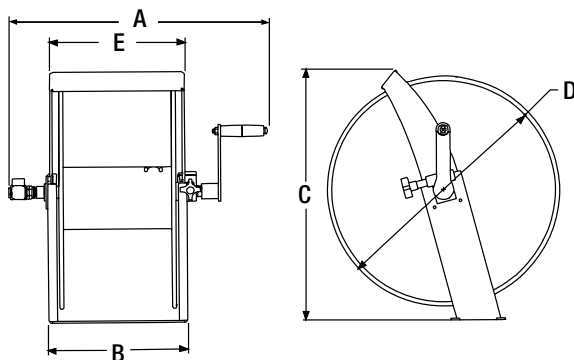
- Hose I.D.:** 3/8" - 1/2" **Pressure:** To 4,000 PSI
- ✓ Sturdy Single Piece U-Shaped Frame Design
- ✓ Unique Hose Control Bar Keeps Hose From Slipping Off The Disc From Any Direction
- ✓ Forward-Weighted Design Ensures Rotation In Direction Of Use
- ✓ Temperatures -20° F to 300° F
- ✓ Optional 8-Position Swivel Mount Wall Mount Bracket With Lock Pin
- ✓ Direct Hand Crank Action
- ✓ Up To 4,000 PSI Working Pressure
- ✓ Brass NPT Swivel Inlet Machined From Solid
- ✓ Brake Assembly Provides Adjustable Friction To Brake Or Lock The Drum
- ✓ Swivel Seals: VITON®

COXREELS® SIGNATURE FEATURES:

- ✓ Professional Grade Heavy Duty Steel Construction
- ✓ Durable Proprietary CPC™ Powder Coat Process
- ✓ Rolled Edges & Ribbed Discs Provide Strength & Safety
- ✓ Leading 2-Year Manufacturer's Limited Warranty
- ✓ Made In The U.S.A. Sold & Supported Worldwide

HOW TO ORDER?
See Page 5 For Details

NEED SPECIAL O-RINGS
See Page 35 For Details



AVAILABLE OPTIONS

STAINLESS STEEL



SWIVELS & PLUMBING FOR PURE PRODUCT FLOW APPLICATIONS

Consult Factory For Details



Toll Free 800-COX-REEL • Fax 800-229-REEL • Int 480-820-6396 • Fax 480-820-5132 • www.coxreels.com

