

Hand Crank & Motor Driven Reels

AVAILABLE IN: **MOTOR DRIVEN**
HAND CRANK

1175 SERIES

COXREELS® 1175 Series "Competitor" hand crank and motorized hose reels, like the 1125 Series, is an industry preferred design built with a larger chassis for larger hose capacities and hose diameters. They feature a sturdy one piece all welded "A" frame base, low profile outlet riser open drum slot design for smooth even hose wraps around the drum.

1175 SERIES

MODEL	STANDARD CAP.			OPTIONAL CAP.*			INLET SWIVEL ASSEMBLY	OUTLET RISER	PSI	APRX. LBS.	SIZE INDEX
	I.D.	O.D.	FT.	I.D.	O.D.	FT.					
1175-6-50	1"	17 ¹ / ₁₆ "	50	3/4"	1 1/4"	100	1" F NPT 90°	1" F NPT	3,000	67	1
1175-6-100	1"	17 ¹ / ₁₆ "	100	3/4"	1 1/4"	150	1" F NPT 90°	1" F NPT	3,000	70	2
1175-6-125	1"	17 ¹ / ₁₆ "	125	3/4"	1 1/4"	200	1" F NPT 90°	1" F NPT	3,000	72	3
1175-6-135	1"	17 ¹ / ₁₆ "	135	3/4"	1 1/4"	175	1" F NPT 90°	1" F NPT	3,000	70	6
1175-6-150	1"	17 ¹ / ₁₆ "	150	3/4"	1 1/4"	250	1" F NPT 90°	1" F NPT	3,000	75	4
1175-6-200	1"	17 ¹ / ₁₆ "	200	3/4"	1 1/4"	300	1" F NPT 90°	1" F NPT	3,000	83	5

*Reducer Required, See Page 33

MOTOR DRIVEN MODELS

When ordering, suffix the model number with selection below. *Add on approximate lbs to ship weight.

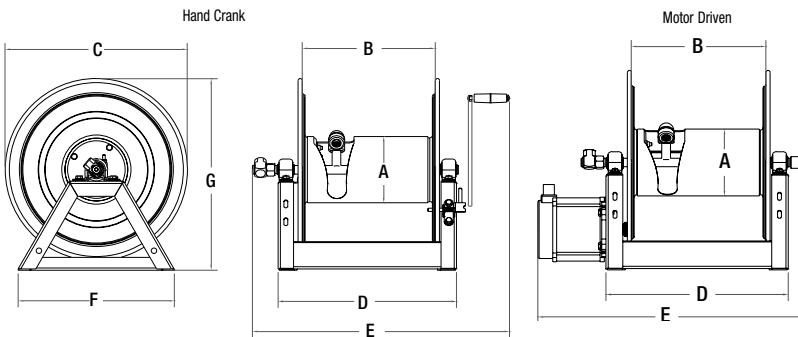
SUFFIX	TYPE	DESCRIPTION	ADD ON APRX. LBS.*
A	AIR - #4 GAST	COMP. AIR MOTOR	8
E	ELEC. - 12V DC	1/3 HP REV. REV. TYPE	13
EB	ELEC. - 24V DC	1/2 HP REV. REV. TYPE	26
ED	ELEC. - EXPL. PRF.	1/2 HP REV. REV. TYPE	26
EA	ELEC. - EXPL. PRF.	115V 1/2 HP REV., AC REV. TYPE	26
H	HYDRAULIC	END PORTED 3/16-18 UNF REV.	6
C	CRANK	BEVEL GEAR	3

*Add 5 lbs to ship weight if reel is crated

REEL DIMENSIONS

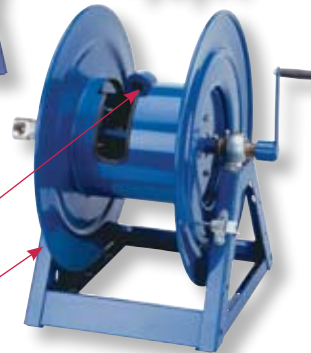
Technical Data Sheets Available On Website

SIZE INDEX	A	B	C	D	CRANK	ELEC.	AIR	F	G
					E	E	E		
1	10 1/2"	7 1/2"	24"	12 7/8"	24 3/4"	20 3/8"	18 1/2"	20 1/8"	26 1/4"
2	10 1/2"	11 1/2"	24"	16 7/8"	28 3/4"	24 3/8"	22 1/2"	20 1/8"	26 1/4"
3	10 1/2"	13 1/2"	24"	18 7/8"	30 3/4"	26 3/8"	24 1/2"	20 1/8"	26 1/4"
4	10 1/2"	15 1/2"	24"	20 7/8"	32 3/4"	28 3/8"	26 1/2"	20 1/8"	26 1/4"
5	10 1/2"	20"	24"	25 3/8"	37 1/4"	32 7/8"	31"	20 1/8"	26 1/4"
6	10 1/2"	20"	20"	25 3/8"	37 1/4"	32 7/8"	31"	17 7/8"	22"



1175 Series, Motor Driven With Optional Roller Hose Guide Sold Separately

LONGER HOSE? LUCKY YOU!



Low Profile Riser & Open Drum Slot For Smooth, Even Hose Wraps

Sturdy All Welded "A" Frame Base

1175 Series, Hand Crank

1175 SERIES Offers...

- Hose I.D.:** 1" **Pressure:** To 3,000 PSI
- ✓ One Piece All Welded Steel "A" Frame Construction
- ✓ Low Profile Riser & Open Drum Slot For Smooth, Even Hose Wraps
- ✓ Solid Steel Crank With Smooth Round Handle
- ✓ Permanently Lubricated Pillow Block Bearings For Smooth Rotation
- ✓ Available In Hand Crank Or Motor Driven (See Chart On Left)
- ✓ Long-Handled Lock Pin Secures Reel From Rotation
- ✓ Adjustable Friction Brake Assembly To Brake Or Lock The Drum
- ✓ Chain & Sprocket Drive
- ✓ Zinc Plated Steel Swivels
- ✓ Swivel Seals: AFLAS®

PORTABLE HOSE REEL CART Offers...



- ✓ Steel Round Handle Detaches For Compact Storage
- ✓ Steel Front Legs With Rubber Feet Prevent Sliding
- ✓ High Grade Ball Bearings With Hardened Cup
- ✓ 1/2" Diameter Steel Axle
- ✓ Solid 8" Rubber Tires
- ✓ For 8" Semi-Pneumatic Tires Order Model #PRP

PORTABLE CART (LESS REEL): Weight: 14 lbs.

- #PR-1175-11 - To be used with 1175-6-100
- #PRP-1175-11 - To be used with 1175-6-100
- #PR-1175-15 - To be used with 1175-6-150
- #PRP-1175-15 - To be used with 1175-6-150

NOT TO BE USED WITH MOTORIZED MODELS

COXREELS® SIGNATURE FEATURES:

- ✓ Professional Grade Heavy Duty Steel Construction
- ✓ Durable Proprietary CPC™ Powder Coat Process
- ✓ Rolled Edges & Ribbed Discs Provide Strength & Safety
- ✓ Leading 2-Year Manufacturer's Limited Warranty
- ✓ Made In The U.S.A. Sold & Supported Worldwide

HOW TO ORDER?
See Page 5 For Details

NEED SPECIAL O-RINGS
See Page 35 For Details

AVAILABLE OPTIONS

ROLLER BRACKETS



IMPROVE HOSE HANDLING FROM ANY DIRECTION
MANY STYLES AVAILABLE
See Page 34 For Selection

SWITCHES & SPEED CONTROLLERS



ADJUST & SET REWIND SPEED
CONVENIENT ON/OFF CONTROL
REVERSE/FORWARD CAP.
MANY STYLES AVAILABLE
See Page 34 For Details

STAINLESS STEEL



SWIVELS & PLUMBING FOR PURE PRODUCT FLOW APPLICATIONS
Consult Factory For Details



Toll Free 800-COX-REEL • Fax 800-229-REEL • Int 480-820-6396 • Fax 480-820-5132 • www.coxreels.com

