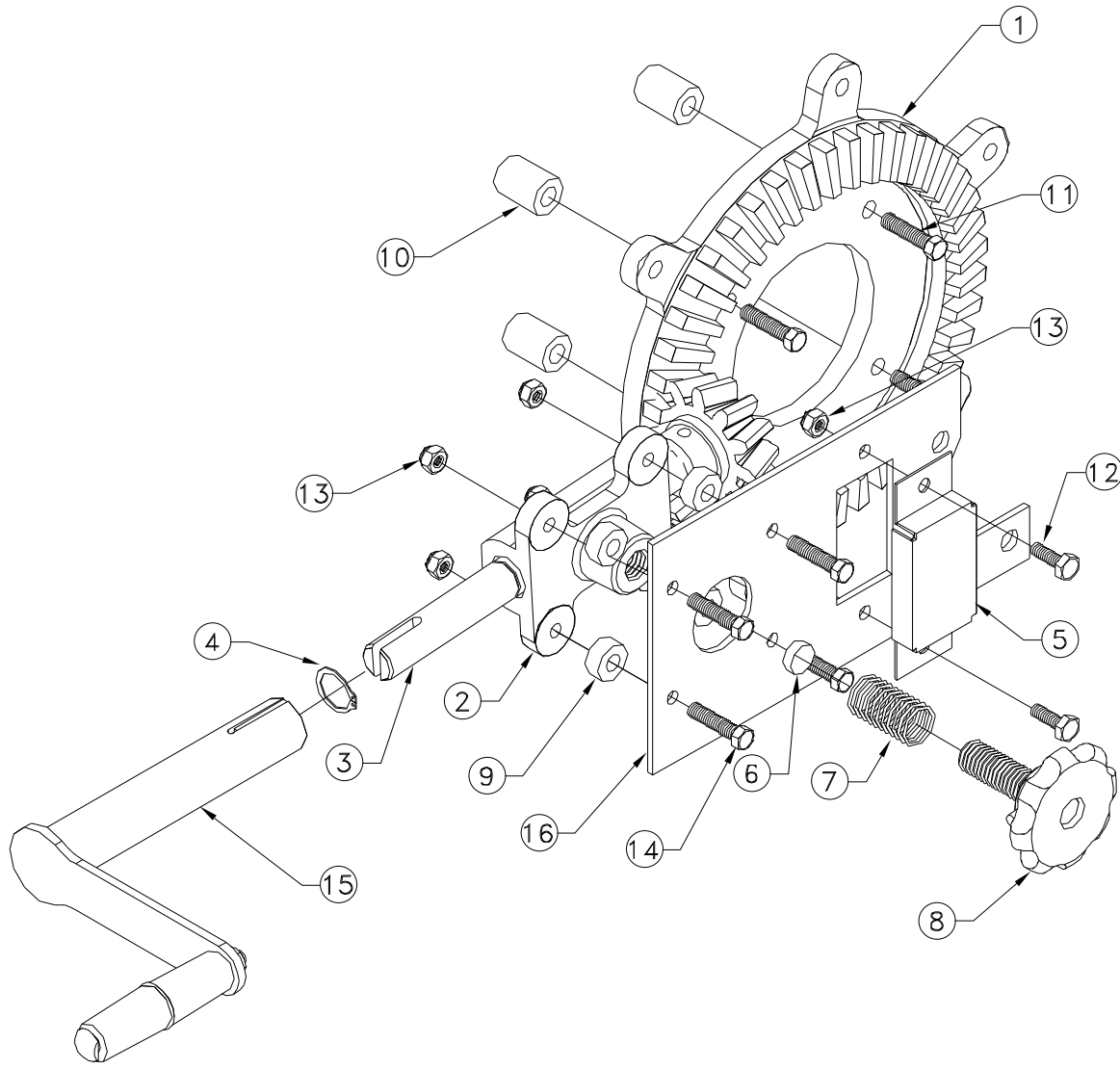


REVISIONS		7730	
SYM.	DESCRIPTION	DATE	BY



16	1	7727	PLATE, MOUNTING
15	1	7513	HAND CRANK
14	4	141	BOLT, 1/4-20 x 1 1/4
13	6	3859	NUT, 1/4
12	2	6321	BOLT, 1/4-20 x 5/8
11	4	7726	BOLT, 5/15-18 x 2
10	4	20779-1	SPACER
9	4	16017	SPACER
8	1	20295	BRAKE KNOB
7	1	15205	SPRING
6	1	15173	BRAKE PAD
5	1	7728	COVER, PINION
4	2	20326	RETAINING RING
3	1	20426-20	PINION ASSEMBLY
2	1	20325	BEARING ASSEMBLY
1	1	20330	BEVEL GEAR

ITEM	QTY	PART NUMBER	DESCRIPTION
DRAWN:		J. SAUDER	DATE: 11-2-01
CHK:		J. KNOSALLA	DATE: 11-2-01
MAT.			
NEXT ASSEMBLY			
DEC. .X ±.100		FRACT.	ANGLE
.XX ±.010		±1/32	±.5 DEG.
.XXX ±.005			
DWG. NO.			7730
REV.			—

BEVEL GEAR KIT
1175-8

COXREELS
 6720 S. CLEMENTINE CT.
 TEMPE, ARIZONA 85283
 480-820-6396