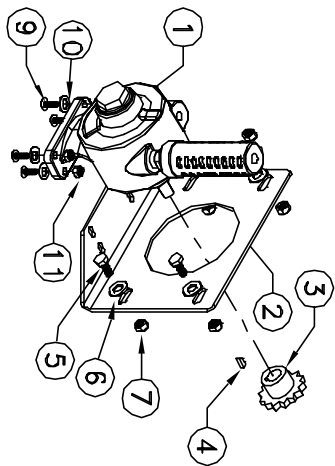
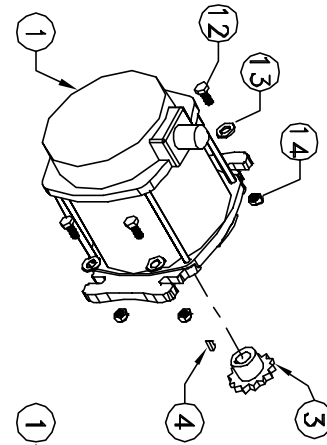


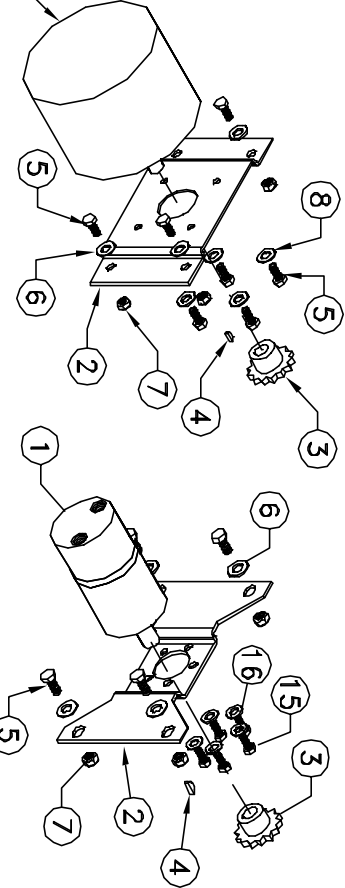
REVISIONS		CM-1175
SYM.	DESCRIPTION	DATE BY
D	P/N 6287 - WAS P/N 8387	9/27/05 BM
ECO.2194-4		



CM-1175-A

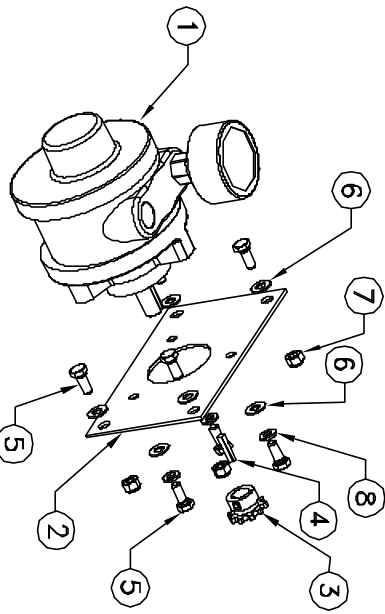


CM-1175-EA/-ED/-EB



CM-1175-E

CM-1175-H



CM-1175-AB

ITEM #	PART NUMBER	DESCRIPTION	-A	-AB	-EA	-ED	-EB	-E	-H
	15224	MOTOR, AIR, #4	1						
	15224-1	MOTOR, AIR, #6		1					
	15225-1	MOTOR, 115VAC, EXPL PROOF			1				
1	15223-1	MOTOR, 12VDC, EXPL PROOF				1			
	15228-1	MOTOR, 12VDC						1	
	15223-2	MOTOR, 24VDC					1		
	15226	MOTOR, HYDRAULIC							1
	7442	BRACKET, 12VDC MOTOR						1	
2	7443-1	BRACKET, AIR MOTOR	1						
	8168	BRACKET, AIR MOTOR		1					
	7410	BRACKET, HYDRAULIC							1
3	15134	SPROCKET	1						
	15135	SPROCKET		1					1
	16006	KEY			1		1		1
4	16015	KEY	1						
	16016	KEY						1	1
	7862	KEY							
5	312	BOLT, 5/16-18 X 3/4"	4	7				8	4
6	20171	WASHER, FLAT, 5/16"	4	7				4	4
7	111	NUT, LOCKING, 5/16-18	4	4				4	4
8	112	WASHER, LOCK, 5/16"			3				
9	6287-	SCREW, 1/4-20 X 1" TRUSS	4						
10	688	WASHER, FLAT, 1/4"	4						
11	125	NUT, KEPS, 1/4-20	4						
12	341	BOLT, 3/8-16 X 1-1/4"			4		4		4
13	157	WASHER, FLAT, 3/8"			4		4		4
14	435	NUT, LOCKING, 3/8-16			4		4		4
15	110	BOLT, 1/4-28 X 3/4"							5
16	114	WASHER, LOCK, 1/4"							5

DRAWN: M. LLOYD	DATE: 05/12/05	<p>KITS, MOTOR</p> <p>1175, 1185 & 1195</p> <p>COXPREENS</p> <p>6720 S. CLEMENTINE CT. TEMPLE, ARIZONA 85283 480-820-6396</p>
CHK: J. KNOSALLA	DATE: 05/12/05	
MAT: SEE BOM		
NEXT ASSEMBLY VARIOUS REELS		
DEC. XX 1.100 FRACT. ±1/32	ANGLE ±.5 DEG.	DWG. NO. CM-1175
.XXX ±.005		REV. D