

EXP-191

REVISION: B

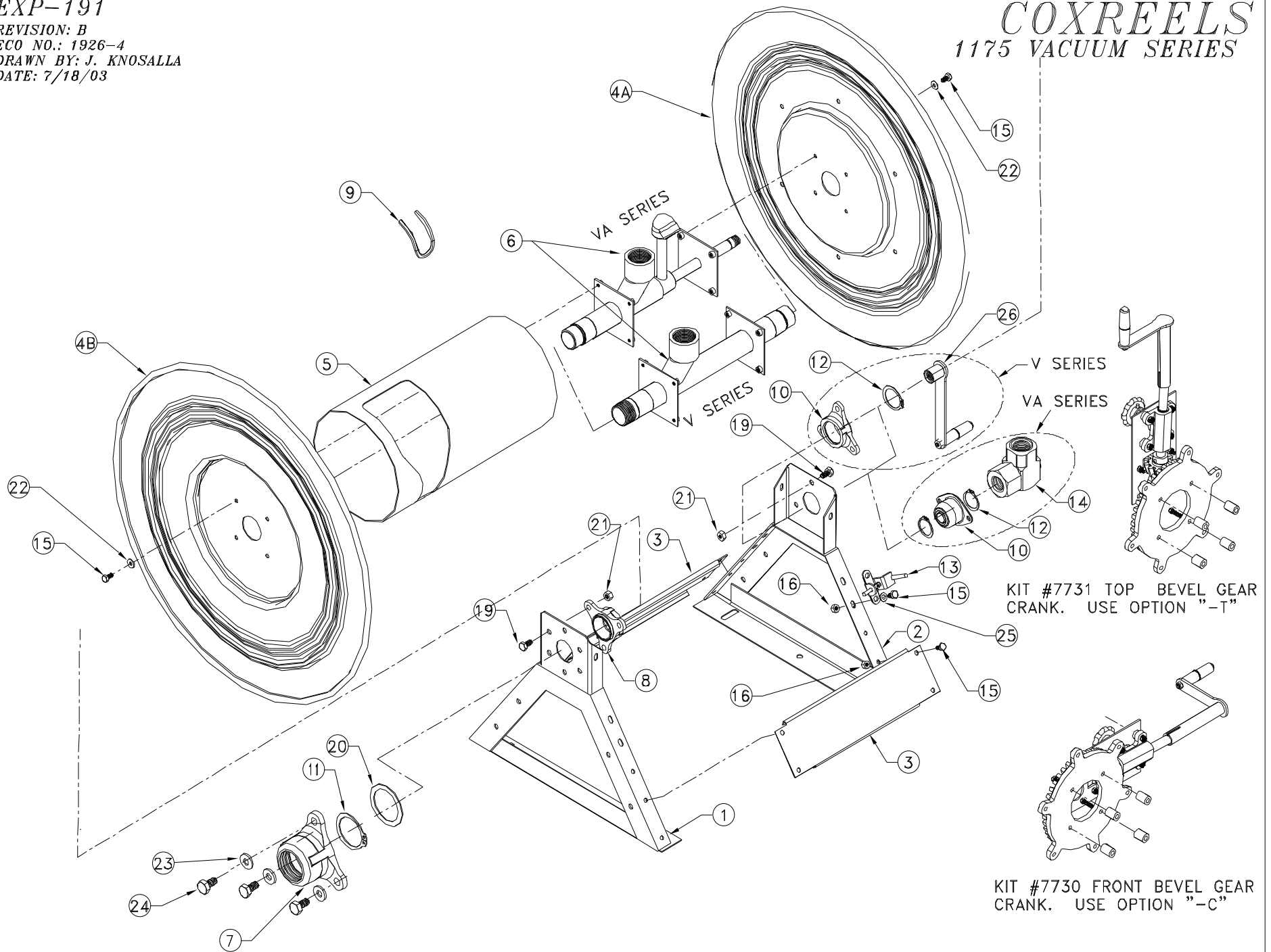
ECO NO.: 1926-4

DRAWN BY: J. KNOSALLA

DATE: 7/18/03

COXREELS

1175 VACUUM SERIES



PARTS LIST FOR
1175-8 VACUUM
REELS

ITEM NO.	PART NO.	DESCRIPTION	QUANTITY REQUIRED					
			VA-1175-850	VA-1175-850-C	VA-1175-850-T	V-1175-850	V-1175-850-C	V-1175-850-T
1	7609	FRAME, 1 1/2" SWIVEL SIDE	1	1	1	1	1	1
2	7779	FRAME, 1/2" SWIVEL SIDE	1	1	1			
	7614	FRAME, CRANK SIDE				1	1	1
3	20756-11.5	BOTTOM RAIL	2	2	2	2	2	2
4A	7603	DISC, 24"	1	1	1	1	1	1
4B	7603-1	DISC, 24"	1	1	1	1	1	1
5	7782	DRUM, CENTER	1	1	1			
	7604-11.5	DRUM, CENTER				1	1	1
6	7774	AXLE ASSY 1-1/2" X 1/2"	1	1	1			
	7909	AXLE ASSY 1-1/2"				1	1	1
7	20288	SWIVEL, 1-1/2", STRAIGHT	1	1	1	1	1	1
8	7622	ASSY, BEARING, 1-1/2"	1	1	1	1	1	1
9	7460-15.5	TRIM, DRUM EDGE	1	1	1			
	7460-14	TRIM, DRUM EDGE				1	1	1
10	7781	BEARING, .833 DIA, 1/2" SIDE	1	1	1			
	7622	ASSY, BEARING, 1-1/2"				1	1	1
11	20266	RING, RETAINING	1	1	1	1	1	1
12	153	RETAINING RING, 1/2"	2	2	2			
	20252	RETAINING RING, 1-1/2"				1	1	1
13	7428	ASSY, LOCK PIN	1	1	1	1	1	1
14	439	SWIVEL, 1/2"	1	1	1			
15	312	BOLT, 5/16-18 X 3/4 LG	18	18	18	18	18	18
16	111	NUT, LOCKING, 5/16-18	10	10	10	10	10	10
19	20016	BOLT, 3/8-16 X 1 LG	5	5	5	6	6	6
20	20264	WASHER, BEARING	1	1	1	1	1	1
21	435	NUT, LOCKING, 3/8	5	5	5	6	6	6
22	112	WASHER, LOCK, 5/16	8	8	8	8	8	8
23	437	WASHER, LOCK, 3/8	3	3	3	3	3	3
24	436	BOLT, 3/8-16 X 3/4 LG	3	3	3	3	3	3
25	20171	WASHER, FLAT, 5/16	2	2	2	2	2	2
26	7626	ASSY, HAND CRANK				1		
	7624	PIPE CAP, 1-1/2"					1	1
27	7730	BEVEL GEAR KIT, FRONT CRANK		1			1	
28	7731	BEVEL GEAR KIT, TOP CRANK			1			1

REVISION: B

ECO: 1926-4

DATE: 7/18/03

NAME: J. KNOSALLA