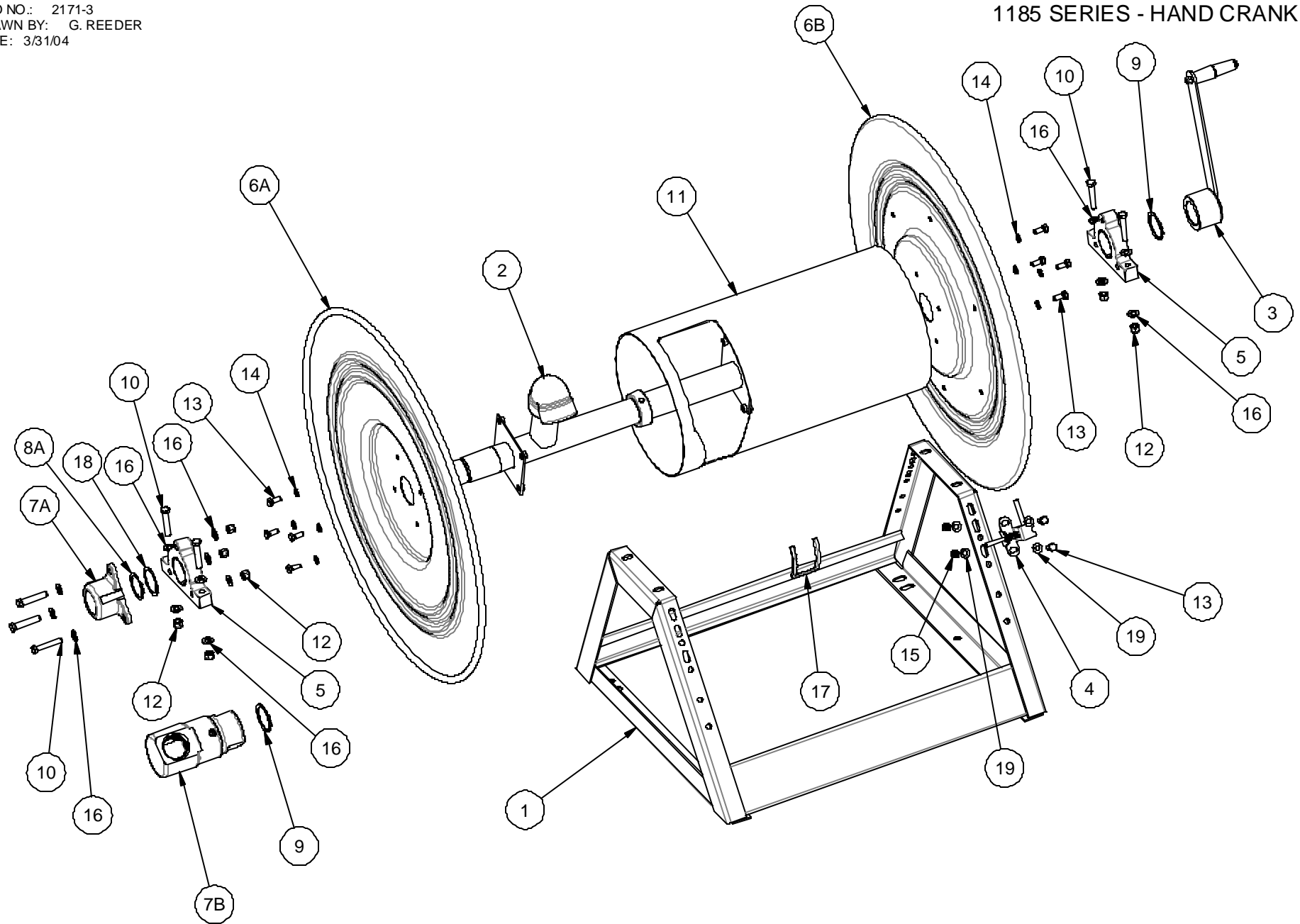


EXP 210

REVISION: B
ECO NO.: 2171-3
DRAWN BY: G. REEDER
DATE: 3/31/04

COXREELS
1185 SERIES - HAND CRANK



COMMON PARTS TO ALL 1185 REELS W/ CRANK

ITEM NO.	PART NO.	DESCRIPTION	QUANTITY REQUIRED							
			1185-2020	1185-1124	1185-1524	1185-2024	1185-3324	1185-2028	1185-2528	1185-3328
1	8162-2020	FRAME, 20"	1							
	8162-1124	FRAME, 24"		1						
	8162-1524	FRAME, 24"			1					
	8162-2024	FRAME, 24"				1				
	8162-3324	FRAME, 24"					1			
	8162-2028	FRAME, 28"						1		
	8162-2528	FRAME, 28"							1	
	8162-3328	FRAME, 28"								1
2	8169-11.5	AXLE ASSEM, INLINE *		1						
	8169-15.5	AXLE ASSEM, INLINE *			1					
	8169-20	AXLE ASSEM, INLINE *	1			1		1		
	8169-25	AXLE ASSEM, INLINE *							1	
	8169-33	AXLE ASSEM, INLINE *					1			1
	8164-11.5	AXLE ASSEM, 90° SWV **		1						
	8164-15.5	AXLE ASSEM, 90° SWV **			1					
	8164-20	AXLE ASSEM, 90° SWV **	1			1		1		
8164-25	AXLE ASSEM, 90° SWV **							1		
8164-33	AXLE ASSEM, 90° SWV **					1			1	
3	8191	CRANK ASSEMBLY	1	1	1	1	1	1	1	1
4	20843	LOCK PIN ASSEMBLY	1	1	1	1	1	1	1	1
5	8166	BEARING ASSEMBLY	2	2	2	2	2	2	2	2
6A	7799	DISC, 20"	1							
	7603-1	DISC, 24"		1	1	1	1			
	7627-1	DISC, 28"						1	1	1
6B	7799-1	DISC, 20"	1							
	7603	DISC, 24"		1	1	1	1			
	7627	DISC, 28"						1	1	1
7A	20288	SWIVEL, 1 1/2", INLINE *	1	1	1	1	1	1	1	
7B	20253-1	SWIVEL, 1 1/2", 90° **	1	1	1	1	1	1	1	
8A	20266	RETAINING RING *	1	1	1	1	1	1	1	
8B	20252	RETAINING RING **	1	1	1	1	1	1	1	
9	20252	RETAINING RING	1	1	1	1	1	1	1	
10	7696	BOLT, 3/8-16 x 2" ***	7	7	7	7	7	7	7	7
11	7604-11.5	DRUM, CENTER		1						
	7604-15.5	DRUM, CENTER			1					
	7604-20	DRUM, CENTER	1			1		1		
	7604-25	DRUM, CENTER							1	
	7604-33	DRUM, CENTER					1			1
12	435	LOCKNUT, 3/8" ***	7	7	7	7	7	7	7	7
13	312	BOLT, 5/16-18 x 3/4	10	10	10	10	10	10	10	10
14	112	LOCKWASHER, 5/16	8	8	8	8	8	8	8	8
15	111	LOCKNUT, 5/16-18	2	2	2	2	2	2	2	2
16	157	WASHER, FLAT, 3/8 ****	14	14	14	14	14	14	14	14
17	7460-14	TRIM, DRUM EDGE	1	1	1	1	1	1	1	1
18	20264	WASHER, BEARING *	1	1	1	1	1	1	1	1
19	20171	WASHER, FLAT, 5/16	4	4	4	4	4	4	4	4

* ONLY SUPPLIED WITH STATIONARY SWIVEL ON STANDARD MODELS.

** ONLY SUPPLIED WITH EXTERNAL 90° SWIVEL MODELS (ADD :-BUXX" SUFFIX TO MODEL NO.).

*** QUANTITY IS 4 WITH EXTERNAL 90° SWIVEL.

**** QUANTITY IS 8 WITH EXTERNAL 90° SWIVEL.

REVISION: B

DATE: 6/10/2005

ECO: 2171-3

NAME: M. LLOYD