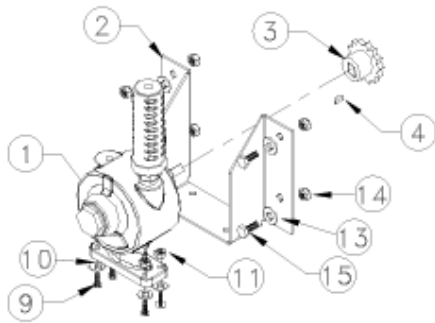
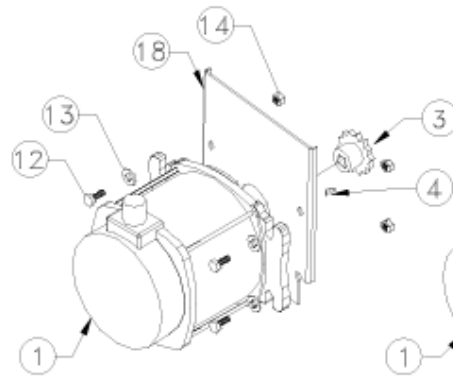


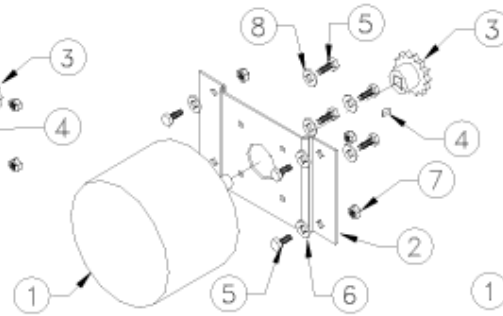
| REVISIONS | | CM-600 | |
|-----------|-------------|--------|----|
| SYM. | DESCRIPTION | DATE | BY |



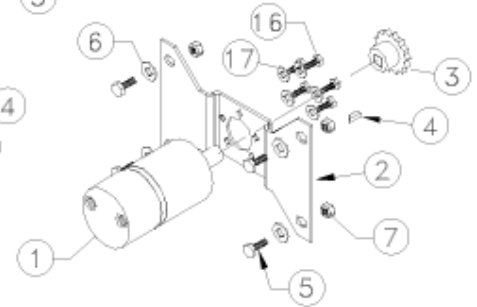
CM-600-A



CM-600-EA/-ED



CM-600-E



CM-600-H

| ITEM # | PART NUMBER | DESCRIPTION | -A | -EA | -ED | -E | -H |
|--------|-------------|---------------------------|----|-----|-----|----|----|
| 1 | 15224 | MOTOR, AIR | 1 | | | | |
| | 15225-1 | MOTOR, 115VAC, EXPL PROOF | | 1 | | | |
| | 15223-1 | MOTOR, 12VDC, EXPL PROOF | | | 1 | | |
| | 15228-1 | MOTOR, 12VDC | | | | 1 | |
| | 15226 | MOTOR, HYDRAULIC | | | | | 1 |
| 2 | 7442 | BRACKET, 12VDC MOTOR | | | | 1 | |
| | 20344 | BRACKET, AIR MOTOR | 1 | | | | |
| | 7410 | BRACKET, HYDRAULIC | | | | | 1 |
| 3 | 15134 | SPROCKET | 1 | | | | |
| | 15135 | SPROCKET | | 1 | 1 | 1 | 1 |
| 4 | 16006 | KEY | | 1 | 1 | | |
| | 16015 | KEY | 1 | | | | |
| | 16016 | KEY | | | | 1 | 1 |
| 5 | 312 | BOLT, 5/16-18 X 3/4" | | | | 8 | 4 |
| 6 | 20171 | WASHER, FLAT, 5/16" | | | | 4 | 4 |
| 7 | 111 | NUT, LOCKING, 5/16-18 | | | | 4 | 4 |
| 8 | 112 | WASHER, LOCK, 5/16" | | | | 4 | |
| 9 | 3030 | BOLT, 1/4-20 X 3/4" | 4 | | | | |
| 10 | 688 | WASHER, FLAT, 1/4" | 4 | | | | |
| 11 | 125 | NUT, KEPS, 1/4-20 | 4 | | | | |
| 12 | 341 | BOLT, 3/8-16 X 1-1/4" | | 4 | 4 | | |
| 13 | 157 | WASHER, FLAT, 3/8" | 4 | 4 | 4 | | |
| 14 | 435 | NUT, LOCKING, 3/8-16 | 4 | 4 | 4 | | |
| 15 | 20016 | BOLT, 3/8-16 X 1" | 4 | | | | |
| 16 | 110 | BOLT, 1/4-28 X 3/4" | | | | | 5 |
| 17 | 114 | WASHER, LOCK, 1/4" | | | | | 5 |
| 18 | 20391 | PANEL, DOUBLER | | 1 | 1 | | |

| | | | |
|---|-------------------|--|---------------|
| DRAWN: J. KNOSALLA | DATE: 11-14-01 | KITS, MOTOR 600, 800, 900 SERIES | |
| CHK: J. KNOSALLA | DATE: 11-14-01 | | |
| MAT. | | COXREELS <small>6720 S. CLEMENTINE CT. TEMPE, ARIZONA 85283 480-820-6396</small> | |
| NEXT ASSEMBLY | | | |
| DEC. XX ±.100 FRACT. .XX ±.010 .XXX ±.005 | ANGLE ±1/32 | DWG. NO. CM-600 | REV. — |