

EXP-55.DWG

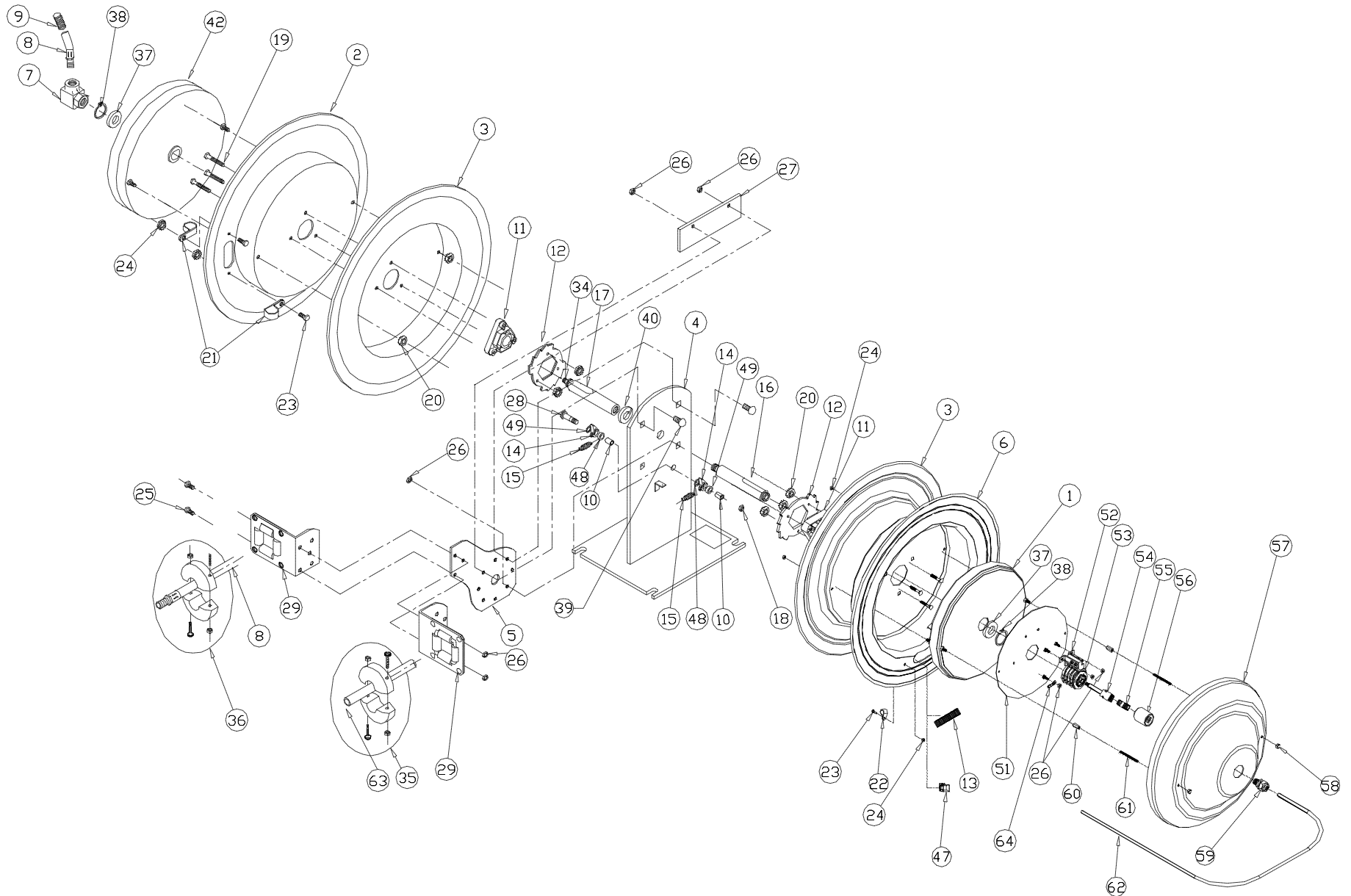
REVISION: -

ECO NO.:

DRAWN BY: J. SAUDER

DATE: 07/31/02

**COXREELS**  
SERIES C ELECTRIC/AIR



ITEM NO.	PART NO.	DESCRIPTION	QTY REQ'D
4	1979	BASE	1
5	1976	ARM GUIDE	1
7	1935	SWIVEL, 3/8" NPT	1
*9	237-1	GUARD, HOSE	1
10	6403-SS	BUSHING, STAINLESS	2
11	1776-3	ASSY, HUB BEARING	2
12	1924	LOCKING RING	2
14	640-1-C-SS	LOCKING CAM	2
15	274-1-SS	SPRING	2
16	1956	AXLE (PC SIDE)	1
17	1956-1	AXLE (AIR SIDE)	1
18	435-1	NUT, LOCKING, 3/8-16	1
19	1953	BOLT, CARRIAGE, 1/4-20 X 1.5"	6
20	125	NUT, KEPS, 1/4-20	6
21	381	CLAMP, HOSE	2
23	245	BOLT, 10-32 X 3/8" QTY 4 IF 12GA->	2
24	130	NUT, KEPS, 10-32 QTY 4 IF 12GA->	2
25	312	BOLT, 5/16-18 X 3/4"	3
26	111	NUT, LOCKING, 5/16-18	3
27	1975	AXLE KEEPER	1
28	1985	BOLT, HEX, 3/8-16 X 2.5"	1

ITEM NO.	PART NO.	DESCRIPTION	QTY REQ'D
29	1728-3	ASSY, ROLLER BRACKET	2
34	10235-SS	SETScrew, 3/8-16 X 7/8"	1
**35	131	BALL STOP, CABLE	1
*36	131-3	BALL STOP, 3/8" HOSE	1
37	1755-1	WASHER, SPACER	2
38	1753	RETAINING RING	2
39	10220-75	BOLT, CARRIAGE, 5/16-18 X 3/4"	4
40	438	WASHER, LOCK, 5/8"	1
48	6440-SS	WASHER, SPACER	2
49	6441-1	WASHER, SPACER	2
51	7166-1	ELECT. MOUNTING PLATE, 17"	1
52	7160	SUPPORT, BRUSH CONTACT	2
53	7155	SLIP RING	1
54	7161	INLET PORT	1
55	7785	NIPPLE, PIPE, 1/2-14 X 1-1/2" LONG	1
56	7116	COUPLING, 1/2-14 FxF	1
57	7180	COVER, 17"	1
58	7196	NUT, ACORN, 10-32	2
60	7163	NUT, COUPLING, 10-32 X 3/4"	2
61	7197	STUD, THREADED, 10-32 X 3"	2

ITEM NUMBER

MODEL NO.	1	42	2	3	6	* 8	* 8	* 8	13	22	47	59	** 62	** 63	** 64	** 65
	SPRING	SPRING	DRUM	DRUMS (2)	DRUM	HOSE (STD)	HOSE (-OG)	HOSE (-RH)	GRD. CABLE	CLAMP, CBL	BUSHING, 90	STR. RELIEF	INPUT CABLE	CABLE FT.	TERM RING	WIRE NUT (5)
C-L335-3516-X	689-5	689-3R	1948	1947	7867	5153-35	5101-35	5045-35			7169-2	7168-1	7198 ***	7172-16	7175-1	7176-1
C-L335-5016-X	1961-2	689-3R	1948	1947	7867	5153-35	5101-35	5045-35			7169-2	7168-1	7198 ***	7172-16	7175-1	7176-1
C-L350-3516-X	689-5	1961-7R	1948	1947	7867	5153-50	5101-50	5045-50			7169-2	7168-1	7198 ***	7172-16	7175-1	7176-1
C-L350-5016-X	1961-2	1961-7R	1948	1947	7867	5153-50	5101-50	5045-50			7169-2	7168-1	7198 ***	7172-16	7175-1	7176-1
C-L335-3514-X	689-5	689-3R	1948	1947	7867-1	5153-35	5101-35	5045-35			7169-3	7168-2	7174-5	7172-14	7175-1	7176-1
C-L335-5014-X	1961-2	689-3R	1948	1947	7867-1	5153-35	5101-35	5045-35			7169-3	7168-2	7174-5	7172-14	7175-1	7176-1
C-L350-3514-X	689-5	1961-7R	1948	1947	7867-1	5153-50	5101-50	5045-50			7169-3	7168-2	7174-5	7172-14	7175-1	7176-1
C-L350-5014-X	1961-2	1961-7R	1948	1947	7867-1	5153-50	5101-50	5045-50			7169-3	7168-2	7174-5	7172-14	7175-1	7176-1
C-L335-3512-X	1961-3	689-3R	1948	1947	7193	5153-35	5101-35	5045-35	237-1	7199		7168-2	7174-2	7172-12	7175-2	7176-2
C-L335-5012-X	2037-5	689-3R	1948	1947	7193	5153-35	5101-35	5045-35	237-1	7199		7168-2	7174-2	7172-12	7175-2	7176-2
C-L350-3512-X	1961-3	1961-7R	1948	1947	7193	5153-50	5101-50	5045-50	237-1	7199		7168-2	7174-2	7172-12	7175-2	7176-2
C-L350-5012-X	2037-5	1961-7R	1948	1947	7193	5153-50	5101-50	5045-50	237-1	7199		7168-2	7174-2	7172-12	7175-2	7176-2

ACCESSORIES (REPLACE "X" WITH APPROPRIATE OPTION):

A - SINGLE IND. RECEPTAL B - QUAD BOX IND. RECEPTAL C - FLOURESCENT TUBE LIGHT D - FLOURESCENT ANGLE LIGHT E - CAGED INCANDESCENT LIGHT F - DUPLEX RECEPTAL, GFCI X - NONE 4 - FOUR WIRE CABLE READY

OPTION:	16 GA REEL ACCESSORY ITEMS (WITH #63)	
A	7188-1	RCPT, SINGLE, MOLDED, 35'
	7188-2	RCPT, SINGLE, MOLDED, 50'
C	7208-1	TUBE LIGHT, FLRS, 35'
	7208-2	TUBE LIGHT, FLRS, 50'
D	7207-1	ANGLE LIGHT, FLRS, 35'
	7207-2	ANGLE LIGHT, FLRS, 50'
E	7206-1	CAGED LIGHT, INCD, 35'
	7206-2	CAGED LIGHT, INCD, 50'
F	7205-1	RCPT, DUPLEX, GFCI, 15 AMP
X	NONE	NO ACCESSORY
4	NONE	NO ACCESSORY

OPTION:	14 GA REEL ACCESSORY ITEMS (WITH #63)	
A	7215-1	RCPT, SINGLE, 15 AMP
F	7205-1	RCPT, DUPLEX, GFCI, 15 AMP
X	NONE	NO ACCESSORY
4	NONE	NO ACCESSORY

OPTION:	12 GA REEL ACCESSORY ITEMS (WITH #63)	
A	7215-2	RCPT, SINGLE, 20 AMP
B	7203-2	RCPT, QUAD BOX, 20 AMP
F	7205-2	RCPT, DUPLEX, GFCI, 20 AMP
X	NONE	NO ACCESSORY
4	NONE	NO ACCESSORY

\*\*\* NOTE: ON "OPTION C" MODELS, REPLACE ITEM #62 WITH INPUT CABLE #7247

REEL ASSEMBLY REPORTS:

\*\* ON "LESS CABLE" MODELS (EXAMPLE: C-L335-3516L-) EXCLUDE ITEMS #13, #35, #62, #63, #64, #65

R100 (LATCHOUT REM.), R101 (LOCKING RING PLACEMENT), R112 (TIGHTENING AND TORQUE) OPERATING INST #028 (CORD INSTALLATION PROCEDURE)

\* ON "LESS HOSE" MODELS (EXAMPLE: C-L335L-3516-) EXCLUDE ITEMS #8, #9, AND #36.

NOTE: MODELS SUPPLIED WITH "STANDARD" HOSE UNLESS SUFFIXED WITH "-OG" OR "-RH". USE HOSE NUMBERS AS NOTED ABOVE.