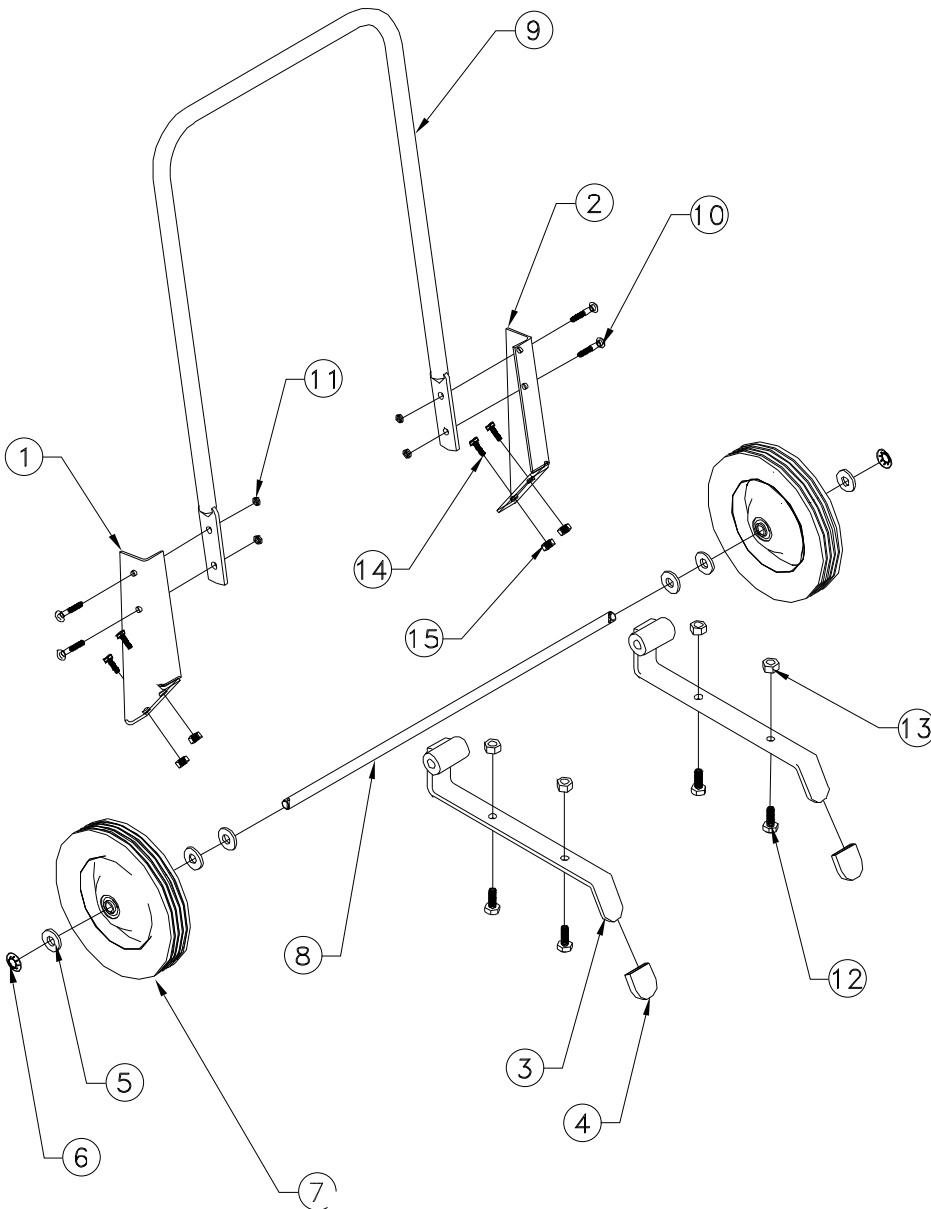


REVISIONS		PRP-1125-6-E	
SYM.	DESCRIPTION	DATE	BY



15	4	111	NUT, LOCK, 5/16-18
14	4	312	BOLT, HEX, 5/16-18 X 3/4"
13	4	435	NUT, LOCK, 3/8-16
12	4	20016	BOLT, HEX, 3/8-16 X 1"
11	4	3859	NUT, LOCK, 1/4-20
10	4	6287	BOLT, TRUSS HD, 1/4-20 X 1"
9	1	15448-6	HANDLE, FORMED
8	1	15562-6-2	AXLE, WHEEL
7	2	15543	WHEEL, PNEUMATIC, 1/2" OFFSET HUB
6	2	20692	NUT, PUSH, 1/2"
5	6	9022	WASHER, FLAT, 1/2" SAE
4	2	7435	CAP, VINYL
3	2	7691	BASE, LEG
2	1	7433-L	BRACKET, HANDLE, LEFT
1	1	7433-R	BRACKET, HANDLE, RIGHT

ITEM	QTY	PART NUMBER	DESCRIPTION
DRAWN:		DATE:	
J. SAUDER		10/1/01	
CHK:		DATE:	
.J. KNOSALLA		10/1/01	
MAT.			
NEXT ASSEMBLY			
DEC. .XX ±.010 .XXX ±.005			FRACT. ±1/32
ANGLE ±.5 DEG.			DWG. NO. PRP-1125-6-E
REV. -			

PORTABLE REEL KIT, PNEUMATIC
1125 (W/MOTOR)

COXREELS
6720 S. CLEMENTINE CT.
TEMPE, AZ 85283
480-820-6396