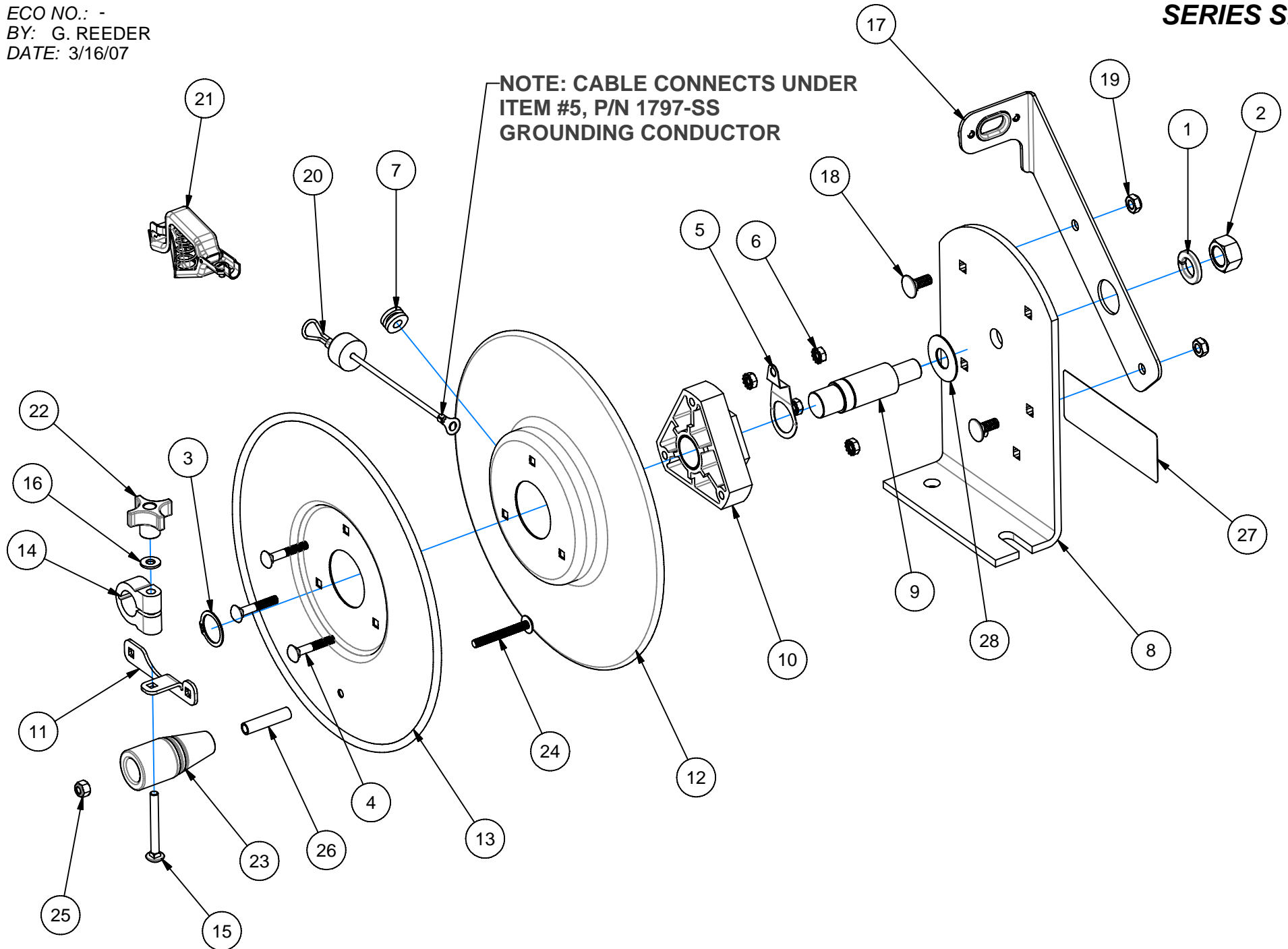


EXP-80H

REVISION: -
ECO NO.: -
BY: G. REEDER
DATE: 3/16/07

COXREELS SERIES SDH

NOTE: CABLE CONNECTS UNDER
ITEM #5, P/N 1797-SS
GROUNDING CONDUCTOR



COMMON PARTS TO SDH HAND CRANK STATIC DISCHARGE CABLE REELS

DETAIL ITEM NO.	PART NO.	DESCRIPTION	SDH-100	SDH-200	SDH-100-1	SDH-200-1
1	438	WASHER: 5/8" LOCK	1	1	1	1
2	3584	NUT: 5/8-11 HEX	1	1	1	1
3	206	RING: RETAINING, #5100-100	1	1	1	1
4	1953	BOLT: 1/4-20 X 1-1/2" CARRIAGE	3	3	3	3
5	1797-SS	CONDUCTOR: GROUNDING	1	1	1	1
6	125	NUT: 1/4-20 KEPS	4	4	4	4
7	3879	GROMMET: RUBBER	1	1	1	1
8	2129-2	BASE: SD REEL	1	1	1	1
9	8579-1	AXLE: 1" DIA.	1	1	1	1
10	1776-3	ASSEMBLY: BEARING HUB	1	1	1	1
11	8581	BRACKET: BRAKE MOUNT	1	1	1	1
12	8657	DISK: 11" X .88"	1	1	1	1
13	8658	DISK: 11" X .30"	1	1	1	1
14	7430-4	BRAKE: DRAG	1	1	1	1
15	7432	BOLT: 1/4-20 X 2-1/4" CARRIAGE	1	1	1	1
16	688	WASHER: 1/4" FLAT	1	1	1	1
17	8656-REV	ASSEMBLY: CABLE GUIDE, 11"	1	1	1	1
18	10220-75	BOLT: 5/16-18 X 3/4" CARRIAGE	2	2	2	2
19	111-1	NUT: 5/16-18 HEX NYLOCK THIN	2	2	2	2
20	2182-G-100	ASSEMBLY: 3/32" DIA. CABLE	1	-	-	-
	2182-G-200	ASSEMBLY: 3/32" DIA. CABLE	-	1	-	-
	2182-SS-100	ASSEMBLY: 3/32" DIA. CABLE	-	-	1	-
	2182-SS-200	ASSEMBLY: 3/32" DIA. CABLE	-	-	-	1
21	2184	CLAMP: 50-AMP GROUNDING	1	1	1	1
22	15719-1	KNOB: 1/4-20 CLAMPING	1	1	1	1
23	8661	HANDLE: CRANK	1	1	1	1
24	8662	SCREW: 1/4-20 X 2" TRUSS HEAD PHILLIPS	1	1	1	1
25	3859	NUT: 1/4-20 NYLOCK HEX	1	1	1	1
26	8663	SPACER: 3/8" O.D. X 1-5/8" LONG	1	1	1	1
27	10925-5	LABEL: PRODUCT, STANDARD	1	1	1	1
28	7219	WASHER: SPACER, SD REEL	1	1	1	1

ON LESS CABLE MODELS (SDHL-), EXCLUDE ITEM #20 AND #21

REVISION: -

ECO: -

DATE: 3/16/07

NAME: G. REEDER