

Marine

PROFESSIONAL GRADE FEATURES



HEAVY DUTY SOLID SPUN DISCS WITH ROLLED EDGES
- not stamped, made with first of its kind CNC robotic spinning cell

LOW PROFILE OUTLET RISER & OPEN DRUM SLOT
for smooth, even hose wraps

STAINLESS STEEL PLUMBING
for applications requiring superior oxidation prevention
ONLY ON 1/2" 1125 SP SERIES

NON-CORROSIVE STAINLESS STEEL FLUID PATH featuring stainless steel swivel with non-toxic food grade grease

PERMANENTLY SEALED PILLOW BLOCK BEARINGS for smooth rotation

HIGH QUALITY NON-CORROSIVE STAINLESS STEEL standard unpolished construction

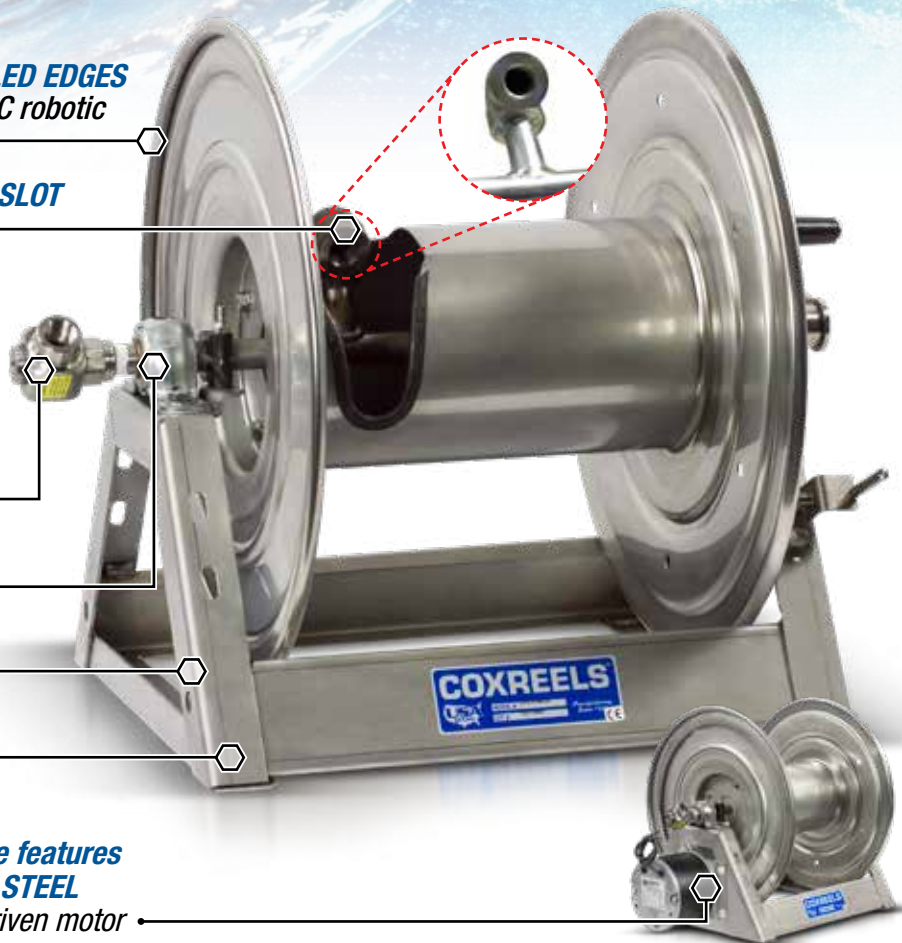
ONE PIECE ALL CNC ROBOTICALLY WELDED stainless steel "A" frame construction

MOTORIZED VERSIONS:

The electric version features all of the same features found on the hand crank model plus **SOLID STEEL HALO** is welded to the disc for a direct gear driven motor

POSSIBLE FIELDS OF APPLICATION

- Pneumatic Tools
- Hydraulic Tools
- Power Tools
- Refueling
- Marine Docks
- Ship Decks
- Offshore
- Shipyard
- Ship Building



WWW.COXREELS.COM
INFO@COXREELS.COM

5865 S. ASH AVE
TEMPE, AZ 85283

800.COX.REEL
480.820.6396

#COXREELS





SS-P, SS-SH & SS-MP SERIES

- Non-corrosive external fluid path with machined from high quality stainless steel 90° full-flow NPT swivel inlet
- Swivel Seals: NITRILE with Non-Toxic Food Grade Grease
- Sturdy single pedestal spring driven reel with space saving design facilitates workplace organization
- SH/MP Series features Coxreels' exclusive Super Hub™ dual axle support system



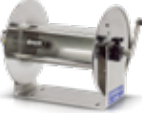
SS-T SERIES

- Non-corrosive external fluid path with machined from high quality stainless steel 90° full-flow NPT swivel inlet
- Swivel Seals: NITRILE with Non-Toxic Food Grade Grease
- Sturdy dual pedestal reel features Coxreels' exclusive Super Hub™ dual axle support system



SS-EN SERIES

- Non-corrosive external fluid path with machined from high quality stainless steel 90° full-flow NPT swivel inlet
- Swivel Seals: NITRILE with Non-Toxic Food Grade Grease
- Sturdy enclosed reel for aesthetic purposes & greater hose protection



SS-100 SERIES

- Non-corrosive external fluid path with machined from high quality stainless steel 90° full-flow NPT swivel inlet
- Swivel Seals: NITRILE with Non-Toxic Food Grade Grease
- Solid one piece, heavy gauge steel "U" shaped frame



SP-1125 SERIES

- Non-corrosive external fluid path with machined from high quality stainless steel 90° full-flow NPT swivel inlet
- Swivel Seals: NITRILE with Non-Toxic Food Grade Grease
- Exclusive low profile outlet riser & open drum slot design for flat smooth hose wrap



SP-1175 SERIES

- Non-corrosive external fluid path with machined from high quality stainless steel 90° full-flow NPT swivel inlet
- Swivel Seals: NITRILE with Non-Toxic Food Grade Grease
- Exclusive low profile outlet riser & open drum slot design for flat smooth hose wrap

CHOICE OF MOTORS



ALUMI-PRO® SERIES

- External fluid path with machined from solid brass 90° full-flow NPT swivel inlet
- Swivel Seals: NITRILE
- Industrial strength CPC™ powder coated aluminium construction



SP SERIES

- External fluid paths with machined from solid brass 90° full-flow NPT swivel inlets
- Swivel Seals: NITRILE (AFLAS on 1" models)
- Reel features a sturdy box-style frame design. Reel adjusts to wall, floor, vehicle & overhead position
- Long lasting self-lubricated flange bearings for smooth rotation
- * Supplied with fuel hose

MODEL	I.D.	FT.	PSI	APRX. LBS.	W x H x L
P-LPL-335-SS	3/8"	35	300	34	6 3/4 x 18 5/8 x 17 1/8"
P-LPL-350-SS	3/8"	50	300	39	6 3/4 x 18 5/8 x 17 1/8"
P-LPL-425-SS	1/2"	25	300	39	7 x 18 5/8 x 17 1/8"
SHL-N-350-SS	3/8"	50	300	44	8 1/4 x 21 1/4 x 19 1/2"
SHL-N-450-SS	1/2"	50	300	46	8 1/4 x 21 1/4 x 19 1/2"
SHL-N-525-SS	3/4"	25	300	45	9 3/8 x 21 1/4 x 19 1/2"
MPL-N-350-SS	3/8"	50	3,000	53	8 1/4 x 21 1/4 x 19 1/2"
MPL-N-450-SS	1/2"	50	3,000	53	8 1/4 x 21 1/4 x 19 1/2"

MODEL	I.D.	FT.	PSI	APRX. LBS.	W x H x L
TSHL-N-4100-SS	1/2"	100	300	80	9 3/8 x 25 1/2 x 24"
TSHL-N-550-SS	3/4"	50	300	70	9 3/8 x 25 1/2 x 24"

MODEL	I.D.	FT.	PSI	APRX. LBS.	W x H x L
ENL-N-335-SS	3/8"	35	300	46	6 7/8 x 18 7/8 x 19"
ENL-N-350-SS	3/8"	50	300	58	8 1/2 x 21 3/4 x 21 7/8"
ENL-N-450-SS	1/2"	50	300	61	8 1/2 x 21 3/4 x 21 7/8"

MODEL	I.D.	FT.	PSI	APRX. LBS.	W x H x L
112-4-75-SS	1/2"	75	4,000	21	22 3/4 x 13 x 12"
117-4-225-SS	1/2"	225	4,000	31	22 3/4 x 18 x 17"
117-5-100-SS	3/4"	100	4,000	36	23 1/4 x 18 x 17"

MODEL	MOTOR OPTION	I.D.	FT.	PSI	APRX. LBS.	W x H x L
1125-4-100-SP	Electric Motor Options Available	1/2"	100	3,000	36	19 1/2 x 18 3/4 x 17 5/8"
1125-4-200-SP		1/2"	200	3,000	39	25 1/2 x 18 3/4 x 17 5/8"
1125-5-100-SP		3/4"	100	3,000	42	26 3/4 x 18 3/4 x 17 5/8"
1125-5-200-SP		3/4"	200	3,000	55	38 3/4 x 18 3/4 x 17 5/8"

MODEL	MOTOR OPTION	I.D.	FT.	PSI	APRX. LBS.	W x H x L
1175-6-100-SP	Electric Motor	1"	100	3,000	70	28 1/8 x 26 1/8 x 24"
1175-6-200-SP	options available	1"	200	3,000	83	36 5/8 x 26 1/8 x 24"

MODEL	I.D.	FT.	PSI	APRX. LBS.	W x H x L
P-LP-125-AL	1/4"	25	300	18	5 7/8 x 14 7/8 x 13 1/2"
P-LP-150-AL	1/4"	50	300	25	6 3/4 x 18 5/8 x 17 1/8"
P-LP-325-AL	3/8"	25	300	19	6 1/2 x 14 7/8 x 13 1/2"
P-LP-350-AL	3/8"	50	300	27	6 3/4 x 18 5/8 x 17 1/8"
P-LP-425-AL	1/2"	25	300	29	7 x 18 5/8 x 17 1/8"

MODEL	I.D.	O.D.	FT.	PSI	APRX. LBS.	W x H x L
SLPL-4100	1/2"	3/4"	100	300	96	18 1/2 x 20 1/2 x 22 7/8"
SLPL-550	3/4"	1 1/16"	50	300	86	19 5/8 x 20 1/2 x 22 7/8"
SLPF-550*	3/4"	1 1/16"	50	300	107	19 5/8 x 20 1/2 x 22 7/8"
SLPL-575	3/4"	1 1/16"	75	300	117	19 5/8 x 24 1/2 x 26 3/8"
SLPL-650	1"	1 1/2"	50	300	109	19 5/8 x 24 1/2 x 26 3/8"
SLPF-650*	1"	1 1/2"	50	300	142	19 5/8 x 24 1/2 x 26 3/8"
SLPL-675	1"	1 1/2"	75	300	148	21 x 28 1/2 x 30 3/8"
SLPL-750	1 1/2"	1 13/16"	50	250	123	18 x 28 1/2 x 30 3/8"
SLPL-850	1 1/2"	2 1/16"	50	250	138	20 x 28 1/2 x 30 3/8"
SMPL-4100	1/2"	13/16"	100	2,500	113	18 1/2 x 20 1/2 x 22 7/8"
SMPL-550	3/4"	1 1/16"	50	1,500	89	19 5/8 x 24 1/2 x 26 3/8"
SMPL-575	3/4"	1 1/16"	75	1,500	121	21 x 28 1/2 x 30 3/8"
SMPL-650	1"	1 3/8"	50	2,000	110	21 x 28 1/2 x 30 3/8"
SMPL-675	1"	1 3/8"	75	2,000	135	20 x 28 1/2 x 30 3/8"

This selection only represents a sample of products applicable in this industry. Please visit us online or consult the factory for more product options.

CF-MR-001