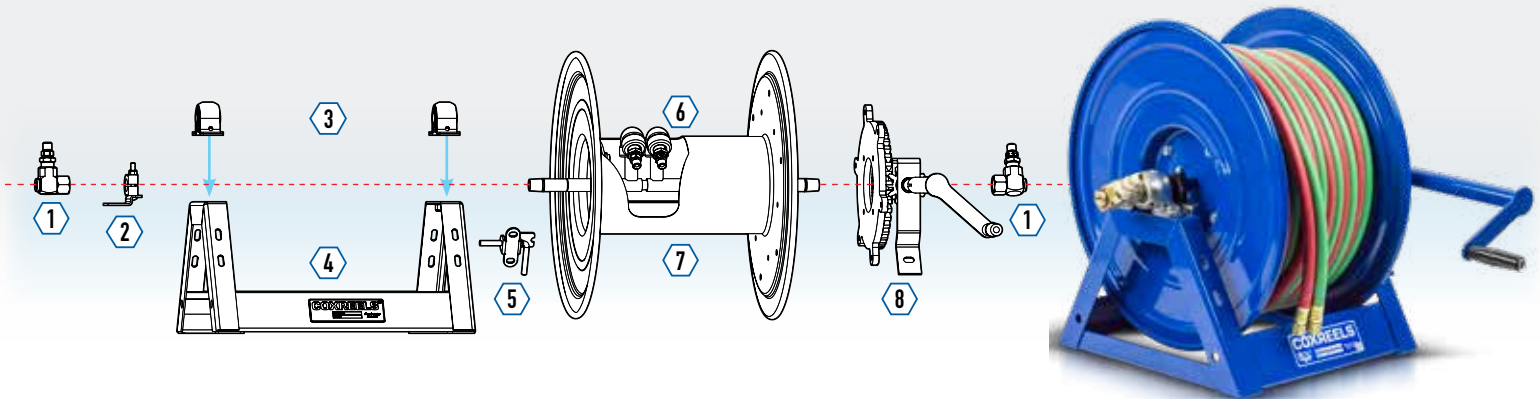




FEATURE FOCUS HAND CRANK WELDING REEL

FF-HCWR-01

EXPLODED ASSEMBLY:



FEATURES & BENEFITS

STEEL CONSTRUCTION

High-Quality steel construction provides superior strength and durability for heavy-duty applications in commercial and industrial settings.



POWDER COAT

CPC™ Powder Coat. Long lasting, chip resistant and rust inhibiting CPC™ powder coat finish seals all steel components for maximum corrosion resistance.

1 WELDING GAS SWIVEL



Designed for Oxy-Acetylene and T Grade twin line welding hose. Dual machined from solid brass 90° full-flow 3/8" NPT swivels (1 on each side of the reel) for simple VITON® seal maintenance and fast and easy hose installation. No need to remove the reel from its mount.

2 TENSION BRAKE



Adjustable tension/friction brake adjust the speed of the draw to your desired preference & prevents your reel from "free wheeling"

3 PILLOW BLOCK BEARINGS



Pillow Block Bearings – Sturdy permanently lubricated and self-aligning pillow block bearings for smooth rotation and trouble-free operation.

- Robust lubricated horizontal surface mount bearings on 1-1/2" and 2" hose I.D. models.

4 "A" FRAME



Sturdy one piece, all CNC robotically welded 1/4" steel "A" frame base, not bolted, for superior reel structure.

Mounting Pattern – Mounting pattern located in the steel base for easy reel installation and detachment.

5 LOCKING PIN



Long-handled locking pin secures reel from rotation during storage or transportation

6 OUTLET RISER



Exclusive low profile outlet riser and open drum slot design provides a non-crimping, flat smooth hose wrap.

7 CNC SPUN DISCS



Heavy duty CNC robotically spun and ribbed discs with rolled edges for greater strength, durability, hose protection and operator safety.

8 BEVEL HAND CRANK



Solid steel direct hand crank with smooth round handle for easy mechanical retraction.

ACCESSORIES & UPGRADES



ROLLER BRACKETS



PORTABLE HOSE REEL



STACKING BRACKET



WWW.COXREELS.COM
INFO@COXREELS.COM

5865 S. ASH AVE
TEMPE, AZ 85283

800.COX.REEL
480.820.6396

#COXREELS

